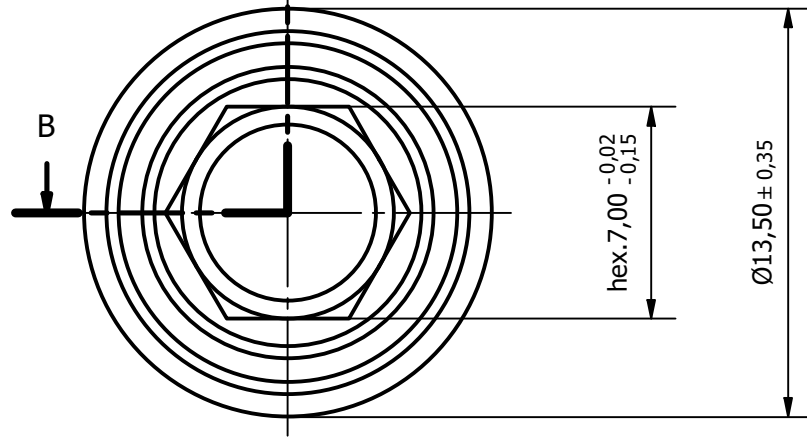
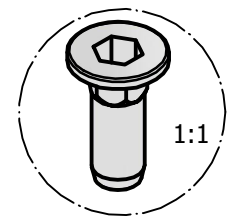
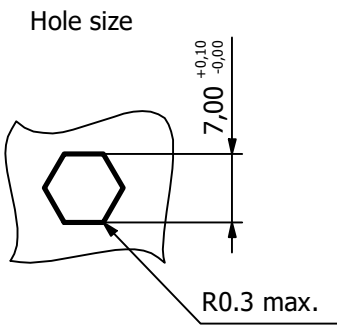
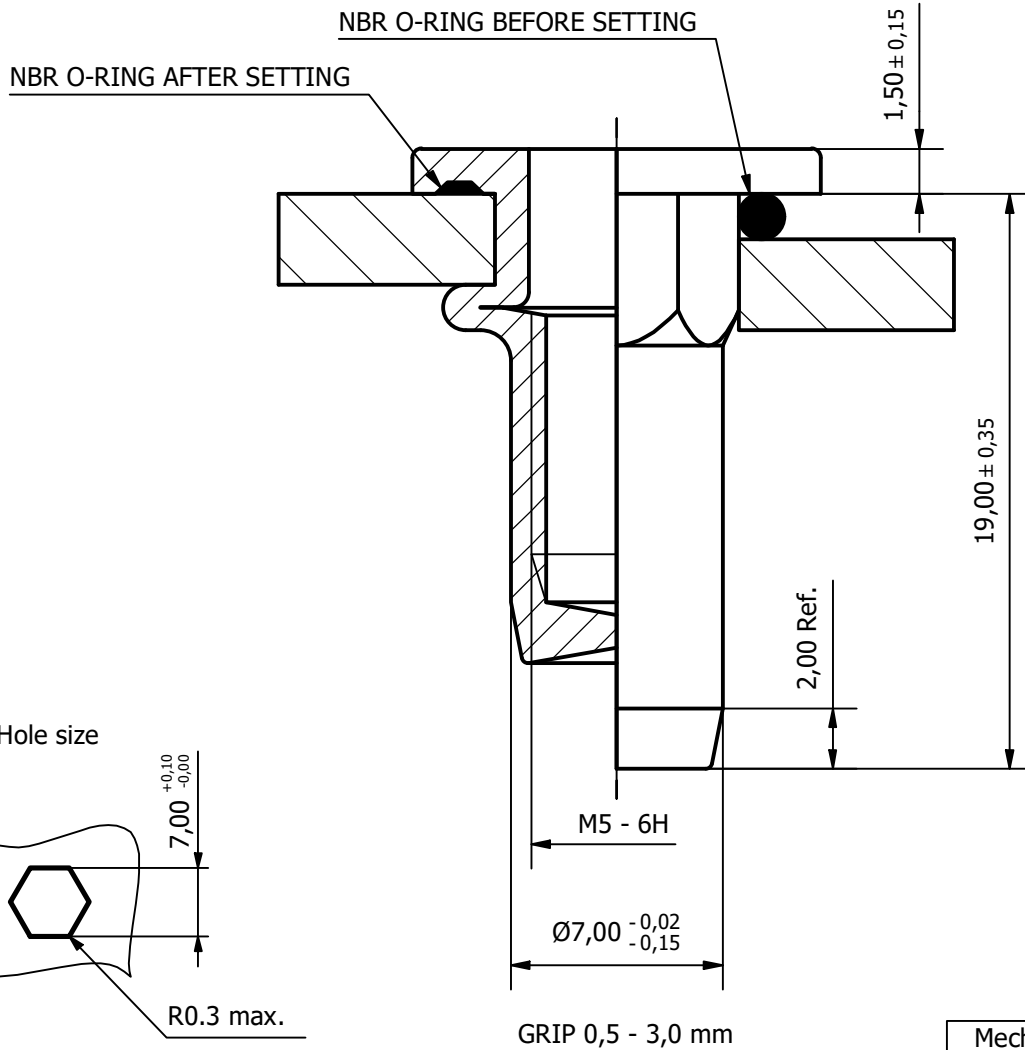


This drawing is property of Dejongd. No reproduction without written permission!



Section B-B



Mechanical properties O-ring	
Hardness	70 Shore A

REV	DESCRIPTION	STATUS	APPROVED	DATE
B	mentioning of type O-ring and the hardness	Released	Janm	4/01/2021
Finish / Coating : Polished				
Name		Date	Material : Stainless Steel 316 Cu	
Designed by		Date	Sp. Treat. :	
A4		Scale	Art. Nr. Cust. :	
		4 : 1	Weight : ± 4,2 g	
			Customer Draw.	
			Art. Nr. : 555905	
			Draw. Nr. :	
			316 M5 HX 3001 NBR	

