



Écrous à sertir en aveugle Blind Rivet Nuts



Matière : Aluminium

Material : Aluminium

Tête : Fraisée

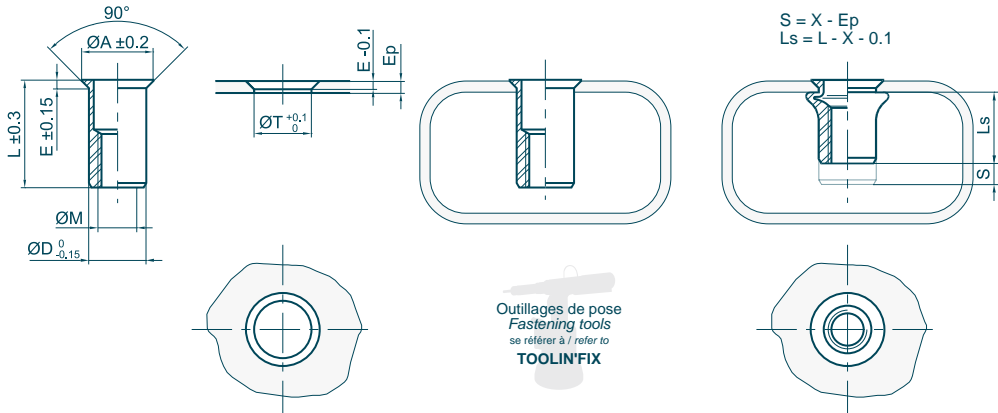
Head : Countersunk





Fût : Cylindrique

Body : Round

Extrémité du fût : Ouvert

Body end : Open Shape



Ø M	Ep		Code	mm ØT	Ø A	L	E	Ø D	X indicative data	 daN	 N.m	 N.m	 kg x1000
	min	max											
M2.5 x 0.45	0.8 - 1.7		01U025FRO017X	4.0	5.0	7.0	0.6	4.0	3.0	165	0.6	0.6	0.1
M3 x 0.50	1.1 - 1.7		01U030FRO017X	5.0	6.8	7.8	1.0	5.0	2.8	225	0.8	0.8	0.2
	1.1 - 2.3		01U030FRO023X	5.0	6.8	8.4	1.0	5.0	3.4	225	0.8	0.8	0.2
	1.8 - 3.0		01U030FRO030X	5.0	6.8	9.0	1.0	5.0	4.0	225	0.8	0.8	0.2
	1.1 - 2.1		01U040FRO021X	6.0	7.8	10.2	1.0	6.0	3.4	400	1.9	1.9	0.4
M4 x 0.70	1.1 - 3.0		01U040FRO030X	6.0	7.8	11.1	1.0	6.0	4.3	400	1.9	1.9	0.4
	1.3 - 3.7		01U040FRO037X	6.0	7.8	11.8	1.0	6.0	5.0	400	1.9	1.9	0.4
	1.1 - 2.5		01U050FRO025X	7.0	8.8	11.8	1.0	7.0	4.0	650	3.8	3.2	0.6
	1.1 - 3.5		01U050FRO035X	7.0	8.8	12.8	1.0	7.0	5.0	650	3.8	3.2	0.6
M5 x 0.80	1.5 - 4.5		01U050FRO045X	7.0	8.8	13.8	1.0	7.0	6.0	650	3.8	3.2	0.6
	1.1 - 2.5		01U060FRO025X	9.0	10.8	14.3	1.0	9.0	4.4	1100	6.7	6.0	1.2
	1.1 - 3.5		01U060FRO035X	9.0	10.8	15.3	1.0	9.0	5.4	1100	6.7	6.0	1.3
	2.0 - 4.5		01U060FRO045X	9.0	10.8	16.3	1.0	9.0	6.4	1100	6.7	6.0	1.3
M6 x 1.00	3.0 - 5.5		01U060FRO055X	9.0	10.8	17.3	1.0	9.0	7.4	1100	6.7	6.0	1.4
	1.8 - 3.0		01U080FRO030X	11.0	13.8	15.8	1.5	11.0	4.9	1750	16.2	10.5	1.9
	1.8 - 4.2		01U080FRO042X	11.0	13.8	17.0	1.5	11.0	6.1	1750	16.2	10.5	2.0
	2.0 - 5.0		01U080FRO050X	11.0	13.8	17.8	1.5	11.0	6.9	1750	16.2	10.5	2.0
M8 x 1.25	3.5 - 6.5		01U080FRO065X	11.0	13.8	19.3	1.5	11.0	8.4	1750	16.2	10.5	2.1
	1.8 - 4.0		01U100FRO040X	13.0	15.8	21.4	1.5	13.0	6.8	2200	32	16.4	3.2
	2.0 - 5.5		01U100FRO055X	13.0	15.8	22.9	1.5	13.0	8.3	2200	32	16.4	3.3
	4.0 - 7.0		01U100FRO070X	13.0	15.8	24.4	1.5	13.0	9.8	2200	32	16.4	3.5
M10 x 1.50	2.5 - 4.2		01U120FRO042X	16.0	19.8	24.3	2.0	16.0	7.3	3000	55	23.5	5.7
	2.5 - 6.0		01U120FRO060X	16.0	19.8	26.1	2.0	16.0	9.1	3000	55	23.5	6.0
	3.5 - 7.6		01U120FRO076X	16.0	19.8	27.7	2.0	16.0	10.7	3000	55	23.5	6.2
	6.0 - 9.2		01U120FRO092X	16.0	19.8	29.3	2.0	16.0	12.3	3000	55	23.5	6.4
M12 x 1.75	1.0 - 5.0		01U140FRO050X	18.0	22.8	28.7	2.5	18.0	9.0	3600	89	31.5	8.4
	3.0 - 7.0		01U140FRO070X	18.0	22.8	30.6	2.5	18.0	11.0	3600	89	31.5	8.9
	6.0 - 9.0		01U140FRO090X	18.0	22.8	32.6	2.5	18.0	13.0	3600	89	31.5	9.3
	3.0 - 5.7		01U160FRO057X	21.0	25.8	30.4	2.5	21.0	10.7	5900	139	41	11.8
M14 x 2.00	2.0 - 8.2		01U160FRO082X	21.0	25.8	32.9	2.5	21.0	13.2	5900	139	41	12.4
	6.0 - 11.0		01U160FRO110X	21.0	25.8	35.7	2.5	21.0	16.0	5900	139	41	13.1

Écrou à sertir en aveugle correspondant à l'ancienne désignation M ... FO ... ALUMINIUM
Blind Rivet Nuts corresponding to old designation M ... FO ... ALUMINIUM