



## Écrous à sertir en aveugle Blind Rivet Nuts



Matière : Aluminium

Material : Aluminium

Tête : Fraisée

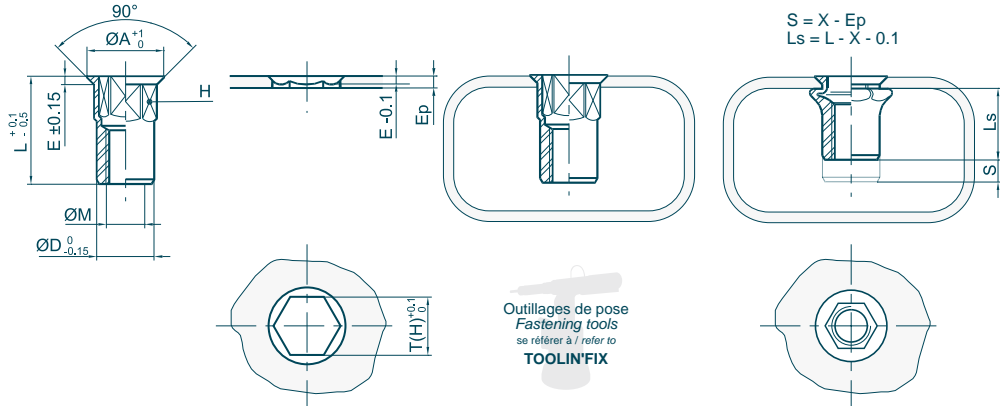
Head : Countersunk

Fût : Hexagonal

Body : Hexagonal

Extrémité du fût : Ouvert

Body end : Open Shape



Ø M	Ep min - max	Code	H	mm T(H)	Ø A	L	E	Ø D	X indicative data				
M2.5 x 0.45	1.1 - 1.7	01U025FHO017X	4.0	4.0	5.0	7.0	0.6	4.0	3.0	165	0.6	0.6	0.1
M3 x 0.50	1.1 - 1.7	01U030FHO017X	5.0	5.0	6.8	7.8	1.0	5.0	2.8	225	0.8	0.8	0.2
	1.1 - 2.3	01U030FHO023X	5.0	5.0	6.8	8.4	1.0	5.0	3.4	225	0.8	0.8	0.2
	1.8 - 3.0	01U030FHO030X	5.0	5.0	6.8	9.0	1.0	5.0	4.0	225	0.8	0.8	0.2
M4 x 0.70	1.1 - 2.1	01U040FHO021X	6.0	6.0	7.8	10.2	1.0	6.0	3.4	400	1.9	1.8	0.4
	1.1 - 3.0	01U040FHO030X	6.0	6.0	7.8	11.1	1.0	6.0	4.3	400	1.9	1.8	0.4
	1.7 - 3.7	01U040FHO037X	6.0	6.0	7.8	11.8	1.0	6.0	5.0	400	1.9	1.8	0.4
M5 x 0.80	1.1 - 2.5	01U050FHO025X	7.0	7.0	8.8	11.8	1.0	7.0	4.0	650	3.8	3.7	0.6
	1.5 - 3.5	01U050FHO035X	7.0	7.0	8.8	12.8	1.0	7.0	5.0	650	3.8	3.7	0.6
	2.5 - 4.5	01U050FHO045X	7.0	7.0	8.8	13.8	1.0	7.0	6.0	650	3.8	3.7	0.6
M6 x 1.00	1.1 - 2.5	01U060FHO025X	9.0	9.0	10.8	14.3	1.0	9.0	4.4	1100	6.7	6.4	1.2
	1.5 - 3.5	01U060FHO035X	9.0	9.0	10.8	15.3	1.0	9.0	5.4	1100	6.7	6.4	1.3
	2.5 - 4.5	01U060FHO045X	9.0	9.0	10.8	16.3	1.0	9.0	6.4	1100	6.7	6.4	1.3
	3.5 - 5.5	01U060FHO055X	9.0	9.0	10.8	17.3	1.0	9.0	7.4	1100	6.7	6.4	1.4
	1.8 - 3.0	01U080FHO030X	11.0	11.0	13.8	15.8	1.5	11.0	4.9	1750	16.2	15.5	1.9
M8 x 1.25	2.2 - 4.2	01U080FHO042X	11.0	11.0	13.8	17.0	1.5	11.0	6.1	1750	16.2	15.5	2.0
	3.0 - 5.0	01U080FHO050X	11.0	11.0	13.8	17.8	1.5	11.0	6.9	1750	16.2	15.5	2.0
	4.5 - 6.5	01U080FHO065X	11.0	11.0	13.8	19.3	1.5	11.0	8.4	1750	16.2	15.5	2.1
	1.8 - 4.0	01U100FHO040X	13.0	13.0	15.8	21.4	1.5	13.0	6.8	2200	32	30.4	3.2
	2.0 - 5.5	01U100FHO055X	13.0	13.0	15.8	22.9	1.5	13.0	8.3	2200	32	30.4	3.3
M10 x 1.50	4.0 - 7.0	01U100FHO070X	13.0	13.0	15.8	24.4	1.5	13.0	9.8	2200	32	30.4	3.5
	2.5 - 4.2	01U120FHO042X	16.0	16.0	19.8	24.3	2.0	16.0	7.3	3000	55	53	5.7
	2.5 - 6.0	01U120FHO060X	16.0	16.0	19.8	26.1	2.0	16.0	9.1	3000	55	53	6.0
	3.5 - 7.6	01U120FHO076X	16.0	16.0	19.8	27.7	2.0	16.0	10.7	3000	55	53	6.2
	6.0 - 9.2	01U120FHO092X	16.0	16.0	19.8	29.3	2.0	16.0	12.3	3000	55	53	6.4
M14 x 2.00	1.0 - 5.0	01U140FHO050X	18.0	18.0	22.8	28.7	2.5	18.0	9.0	3600	89	85	8.4
	3.0 - 7.0	01U140FHO070X	18.0	18.0	22.8	30.6	2.5	18.0	11.0	3600	89	85	8.9
	6.0 - 9.0	01U140FHO090X	18.0	18.0	22.8	32.6	2.5	18.0	13.0	3600	89	85	9.3
M16 x 2.00	3.0 - 5.7	01U160FHO057X	21.0	21.0	25.8	30.4	2.5	21.0	10.7	5900	139	133	11.8
	2.0 - 8.2	01U160FHO082X	21.0	21.0	25.8	32.9	2.5	21.0	13.2	5900	139	133	12.4
	6.0 - 11.0	01U160FHO110X	21.0	21.0	25.8	35.7	2.5	21.0	16.0	5900	139	133	13.1

Écrou à sertir en aveugle correspondant à l'ancienne désignation H ... FO ... ALUMINIUM  
Blind Rivet Nuts corresponding to old designation H ... FO ... ALUMINIUM

