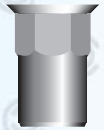


Écrous à sertir en aveugle Blind Rivet Nuts



Material : Aluminium

Matière : Aluminium

Head : Countersunk

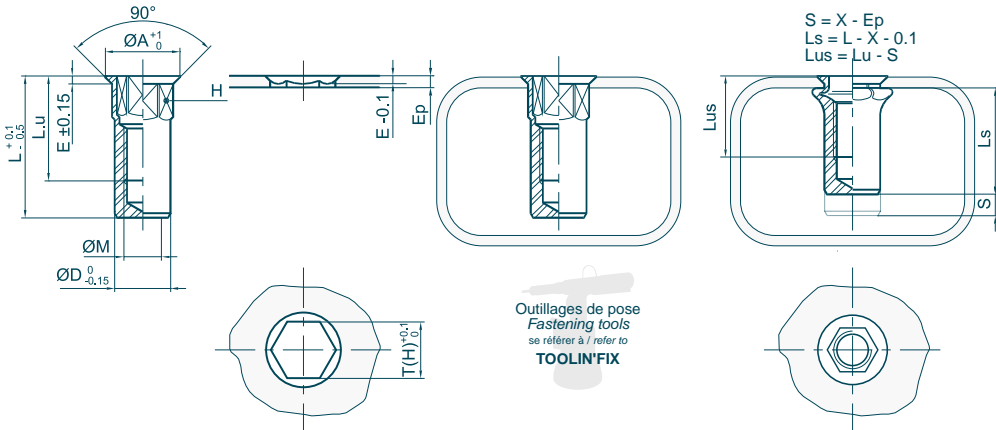
Tête : Fraisée

Body : Hexagonal

Fût : Hexagonal

Body end : Closed End

Extrémité du fût : Borgne



Outillages de pose
Fastening tools
se référer à / refer to
TOOLIN'FIX

Ø M	Ep		Code	H	mm		Ø A	L	L.u	E	Ø D	X	daN			kg x1000
	min	max			T(H)											
M2.5 x 0.45	1.1 - 1.7		01U025FHB017X	4.0	4.0		5.0	10.3	6.5	0.6	4.0	3.0	165	0.6	0.6	0.2
M3 x 0.50	1.1 - 1.7		01U030FHB017X	5.0	5.0		6.8	12.3	7.0	1.0	5.0	2.8	225	0.8	0.8	0.4
	1.1 - 2.3		01U030FHB023X	5.0	5.0		6.8	12.9	8.0	1.0	5.0	3.4	225	0.8	0.8	0.4
	1.8 - 3.0		01U030FHB030X	5.0	5.0		6.8	13.5	9.0	1.0	5.0	4.0	225	0.8	0.8	0.4
	1.1 - 3.0		01U040FHB030X	6.0	6.0		7.8	15.9	9.5	1.0	6.0	3.4	400	1.9	1.8	0.7
M4 x 0.70	1.1 - 3.0		01U040FHB030X	6.0	6.0		7.8	16.8	10.6	1.0	6.0	4.3	400	1.9	1.8	0.7
	1.7 - 3.7		01U040FHB037X	6.0	6.0		7.8	17.5	11.0	1.0	6.0	5.0	400	1.9	1.8	0.7
	1.1 - 2.5		01U050FHB025X	7.0	7.0		8.8	18.3	12.0	1.0	7.0	4.0	650	3.8	3.7	1.0
	1.5 - 3.5		01U050FHB035X	7.0	7.0		8.8	19.3	13.0	1.0	7.0	5.0	650	3.8	3.7	1.1
M5 x 0.80	2.5 - 4.5		01U050FHB045X	7.0	7.0		8.8	20.3	14.0	1.0	7.0	6.0	650	3.8	3.7	1.1
	1.1 - 2.5		01U060FHB025X	9.0	9.0		10.8	22.3	13.5	1.0	9.0	4.4	1100	6.7	6.4	2.2
	1.5 - 3.5		01U060FHB035X	9.0	9.0		10.8	23.3	14.5	1.0	9.0	5.4	1100	6.7	6.4	2.3
	2.5 - 4.5		01U060FHB045X	9.0	9.0		10.8	24.3	15.5	1.0	9.0	6.4	1100	6.7	6.4	2.4
M6 x 1.00	3.5 - 5.5		01U060FHB055X	9.0	9.0		10.8	25.3	16.5	1.0	9.0	7.4	1100	6.7	6.4	2.4
	1.8 - 3.0		01U080FHB030X	11.0	11.0		13.8	25.3	16.1	1.5	11.0	4.9	1750	16.2	15.5	3.5
	2.2 - 4.2		01U080FHB042X	11.0	11.0		13.8	26.5	18.1	1.5	11.0	6.1	1750	16.2	15.5	3.6
	3.0 - 5.0		01U080FHB050X	11.0	11.0		13.8	27.3	18.7	1.5	11.0	6.9	1750	16.2	15.5	3.7
M8 x 1.25	4.5 - 6.5		01U080FHB065X	11.0	11.0		13.8	28.8	20.0	1.5	11.0	8.4	1750	16.2	15.5	3.8
	1.8 - 4.0		01U100FHB040X	13.0	13.0		15.8	32.9	21.0	1.5	13.0	6.8	2200	32	30.4	5.9
	2.0 - 5.5		01U100FHB055X	13.0	13.0		15.8	34.4	22.0	1.5	13.0	8.3	2200	32	30.4	6.0
	4.0 - 7.0		01U100FHB070X	13.0	13.0		15.8	35.9	24.0	1.5	13.0	9.8	2200	32	30.4	6.1
M12 x 1.75	2.5 - 4.2		01U120FHB042X	16.0	16.0		19.8	36.3	23.7	2.0	16.0	7.3	3000	55	53	10.1
	2.5 - 6.0		01U120FHB060X	16.0	16.0		19.8	38.1	25.7	2.0	16.0	9.1	3000	55	53	10.3
	3.5 - 7.6		01U120FHB076X	16.0	16.0		19.8	39.7	28.0	2.0	16.0	10.7	3000	55	53	10.5
	6.0 - 9.2		01U120FHB092X	16.0	16.0		19.8	41.1	29.4	2.0	16.0	12.3	3000	55	53	10.7
M14 x 2.00	1.0 - 5.0		01U140FHB050X	18.0	18.0		22.8	43.4	29.4	2.5	18.0	9.0	3600	89	85	14.9
	3.0 - 7.0		01U140FHB070X	18.0	18.0		22.8	45.6	31.6	2.5	18.0	11.0	3600	89	85	15.4
	6.0 - 9.0		01U140FHB090X	18.0	18.0		22.8	47.7	33.7	2.5	18.0	13.0	3600	89	85	15.8
	3.0 - 5.7		01U160FHB057X	21.0	21.0		25.8	46.4	30.5	2.5	21.0	10.7	5900	139	133	21.3
M16 x 2.00	2.0 - 8.2		01U160FHB082X	21.0	21.0		25.8	48.9	33.0	2.5	21.0	13.2	5900	139	133	22.0
	6.0 - 11.0		01U160FHB110X	21.0	21.0		25.8	51.7	35.5	2.5	21.0	16.0	5900	139	133	22.7

Écrou à sertir en aveugle correspondant à l'ancienne désignation H ... FB ... ALUMINIUM
Blind Rivet Nuts corresponding to old designation H ... FB ... ALUMINIUM