

Écrous à sertir en aveugle Blind Rivet Nuts



Matière : Aluminium

Material : Aluminium

Tête : Cylindrique

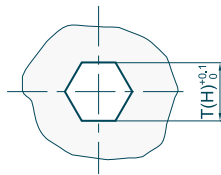
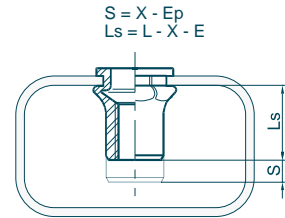
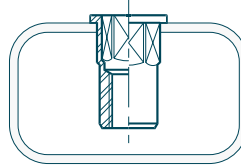
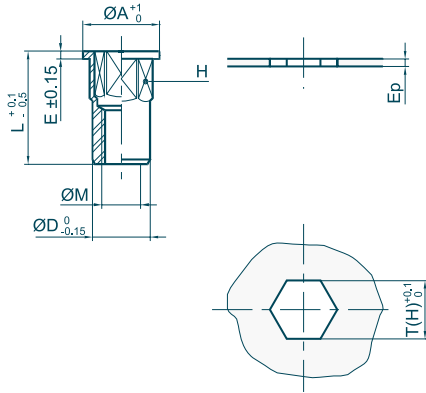
Head : Flange

Fût : Hexagonal

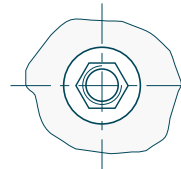
Body : Hexagonal

Extrémité du fût : Ouvert

Body end : Open Shape



Outillages de pose
Fastening tools
se référer à / refer to
TOOLIN'FIX



Ø M	Ep		Code	H	mm		Ø A	L	E	Ø D	X	indicative data	daN	N,m	N,m	kg x1000
	min	max			T(H)											
M2.5 x 0.45	0.0 - 1.1	1.1 - 1.7	01U025CHO011X	4.0	4.0	6.0	6.9	0.6	4.0	2.4	165	0.6	0.6	0.1		
	1.1 - 1.7	1.7 - 2.3	01U025CHO017X	4.0	4.0	6.0	7.5	0.6	4.0	3.0	165	0.6	0.6	0.1		
M3 x 0.50	0.0 - 1.1	1.1 - 1.7	01U030CHO011X	5.0	5.0	7.0	7.9	0.8	5.0	2.2	225	0.8	0.8	0.2		
	0.0 - 1.7	1.7 - 2.3	01U030CHO017X	5.0	5.0	7.0	8.5	0.8	5.0	2.8	225	0.8	0.8	0.2		
	1.0 - 2.3	2.3 - 3.0	01U030CHO023X	5.0	5.0	7.0	9.1	0.8	5.0	3.4	225	0.8	0.8	0.3		
	1.8 - 3.0	3.0 - 3.5	01U030CHO030X	5.0	5.0	7.0	9.7	0.8	5.0	4.0	225	0.8	0.8	0.3		
M4 x 0.70	0.0 - 1.3	1.3 - 2.0	01U040CHO013X	6.0	6.0	8.0	10.1	0.8	6.0	2.6	400	1.9	1.8	0.4		
	0.0 - 2.1	2.0 - 2.7	01U040CHO021X	6.0	6.0	8.0	10.9	0.8	6.0	3.4	400	1.9	1.8	0.4		
	1.0 - 3.0	2.7 - 3.4	01U040CHO030X	6.0	6.0	8.0	11.9	0.8	6.0	4.3	400	1.9	1.8	0.4		
	1.7 - 3.7	3.4 - 4.1	01U040CHO037X	6.0	6.0	8.0	12.5	0.8	6.0	5.0	400	1.9	1.8	0.4		
M5 x 0.80	0.0 - 1.5	1.5 - 2.2	01U050CHO015X	7.0	7.0	9.0	11.7	1.0	7.0	3.0	650	3.8	3.7	0.6		
	0.0 - 2.5	2.2 - 2.9	01U050CHO025X	7.0	7.0	9.0	12.7	1.0	7.0	4.0	650	3.8	3.7	0.6		
	1.5 - 3.5	3.2 - 3.9	01U050CHO035X	7.0	7.0	9.0	13.7	1.0	7.0	5.0	650	3.8	3.7	0.6		
	2.5 - 4.5	4.2 - 4.9	01U050CHO045X	7.0	7.0	9.0	14.7	1.0	7.0	6.0	650	3.8	3.7	0.7		
M6 x 1.00	0.0 - 1.5	1.5 - 2.2	01U060CHO015X	9.0	9.0	11.0	14.4	1.2	9.0	3.4	1100	6.7	6.4	1.3		
	0.5 - 2.5	2.2 - 2.9	01U060CHO025X	9.0	9.0	11.0	15.4	1.2	9.0	4.4	1100	6.7	6.4	1.4		
	1.5 - 3.5	3.2 - 3.9	01U060CHO035X	9.0	9.0	11.0	16.4	1.2	9.0	5.4	1100	6.7	6.4	1.4		
	2.5 - 4.5	4.2 - 4.9	01U060CHO045X	9.0	9.0	11.0	17.4	1.2	9.0	6.4	1100	6.7	6.4	1.5		
M8 x 1.25	0.0 - 1.8	1.8 - 2.5	01U080CHO018X	11.0	11.0	14.0	16.0	1.5	11.0	3.7	1750	16.2	15.5	2.0		
	1.0 - 3.0	2.7 - 3.4	01U080CHO030X	11.0	11.0	14.0	17.3	1.5	11.0	4.9	1750	16.2	15.5	2.1		
	2.2 - 4.2	3.9 - 4.6	01U080CHO042X	11.0	11.0	14.0	18.4	1.5	11.0	6.1	1750	16.2	15.5	2.2		
	3.0 - 5.0	4.7 - 5.4	01U080CHO050X	11.0	11.0	14.0	19.5	1.5	11.0	6.9	1750	16.2	15.5	2.3		
M10 x 1.50	4.5 - 6.5	6.2 - 6.9	01U080CHO065X	11.0	11.0	14.0	20.7	1.5	11.0	8.4	1750	16.2	15.5	2.4		
	0.0 - 2.5	2.5 - 3.2	01U100CHO025X	13.0	13.0	16.0	21.3	1.5	13.0	5.3	2200	32	30.4	3.3		
	0.5 - 4.0	3.7 - 4.4	01U100CHO040X	13.0	13.0	16.0	22.8	1.5	13.0	6.8	2200	32	30.4	3.5		
	2.0 - 5.5	5.2 - 5.9	01U100CHO055X	13.0	13.0	16.0	24.5	1.5	13.0	8.3	2200	32	30.4	3.7		
M12 x 1.75	4.0 - 7.0	6.7 - 7.4	01U100CHO070X	13.0	13.0	16.0	25.8	1.5	13.0	9.8	2200	32	30.4	3.8		
	0.0 - 4.2	4.2 - 4.9	01U120CHO042X	16.0	16.0	20.0	25.9	1.7	16.0	7.3	3000	55	53	6.2		
	2.0 - 6.0	5.7 - 6.4	01U120CHO060X	16.0	16.0	20.0	27.7	1.7	16.0	9.1	3000	55	53	6.4		
	3.5 - 7.6	7.3 - 8.0	01U120CHO076X	16.0	16.0	20.0	29.3	1.7	16.0	10.7	3000	55	53	6.7		
M14 x 2.00	6.0 - 9.2	8.9 - 9.6	01U120CHO092X	16.0	16.0	20.0	30.9	1.7	16.0	12.3	3000	55	53	6.9		
	0.0 - 3.0	3.0 - 3.7	01U140CHO030X	18.0	18.0	23.0	28.6	2.0	18.0	7.0	3600	89	85	8.8		
	1.0 - 5.0	4.7 - 5.4	01U140CHO050X	18.0	18.0	23.0	30.5	2.0	18.0	9.0	3600	89	85	9.2		
	3.0 - 7.0	6.7 - 7.4	01U140CHO070X	18.0	18.0	23.0	32.5	2.0	18.0	11.0	3600	89	85	9.7		
M16 x 2.00	6.0 - 9.0	8.7 - 9.4	01U140CHO090X	18.0	18.0	23.0	34.5	2.0	18.0	13.0	3600	89	85	10.1		
	0.0 - 3.2	3.2 - 3.9	01U160CHO032X	21.0	21.0	26.0	30.3	2.5	21.0	8.2	5900	139	133	12.4		
	0.0 - 5.7	5.4 - 6.1	01U160CHO057X	21.0	21.0	26.0	32.8	2.5	21.0	10.7	5900	139	133	13.1		
	2.0 - 8.2	7.9 - 8.6	01U160CHO082X	21.0	21.0	26.0	35.3	2.5	21.0	13.2	5900	139	133	13.7		
6.0 - 11.0	10.7 - 11.4	01U160CHO110X	21.0	21.0	26.0	38.1	2.5	21.0	16.0	5900	139	133	14.5			

Écrou à sertir en aveugle correspondant à l'ancienne désignation H ... CO ... ALUMINIUM
Blind Rivet Nuts corresponding to old designation H ... CO ... ALUMINIUM