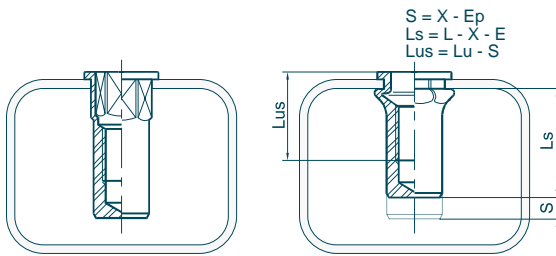
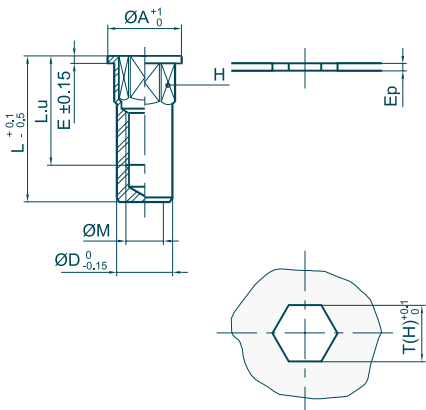


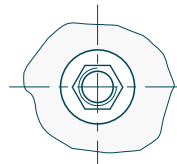
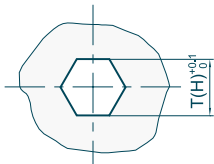
Écrous à sertir en aveugle Blind Rivet Nuts



Material : Aluminium Matière : Aluminium
Head : Flange Tête : Cylindrique
Body : Hexagonal Fût : Hexagonal
Body end : Closed End Extrémité du fût : Borgne



Outillages de pose
Fastening tools
se référer à / refer to
TOOLIN'FIX



Ø M	Ep		Code	H	mm		Ø A	L	L.u	E	Ø D	X	indicative data			kg x1000
	min	max			T(H)	daN							N.m	N.m		
M2.5 x 0.45	0.0 - 1.1	1.1 - 1.7	01U025CHB011X	4.0	4.0	6.0	10.2	6.1	0.6	4.0	2.4	165	0.6	0.6	0.2	
	1.1 - 1.7	1.7 - 3.0	01U025CHB017X	4.0	4.0	6.0	10.8	7.0	0.6	4.0	3.0	165	0.6	0.6	0.2	
M3 x 0.50	0.0 - 1.1	1.1 - 1.7	01U030CHB011X	5.0	5.0	7.0	12.4	7.0	0.8	5.0	2.2	225	0.8	0.8	0.4	
	0.0 - 1.7	1.7 - 3.0	01U030CHB017X	5.0	5.0	7.0	13.0	7.5	0.8	5.0	2.8	225	0.8	0.8	0.4	
	1.0 - 2.3	2.3 - 3.0	01U030CHB023X	5.0	5.0	7.0	13.6	8.5	0.8	5.0	3.4	225	0.8	0.8	0.4	
M4 x 0.70	0.0 - 1.3	1.3 - 3.0	01U040CHB013X	6.0	6.0	8.0	15.8	9.5	0.8	6.0	2.6	400	1.9	1.8	0.7	
	0.0 - 2.1	2.1 - 3.0	01U040CHB021X	6.0	6.0	8.0	16.6	10.0	0.8	6.0	3.4	400	1.9	1.8	0.7	
	1.0 - 3.0	3.0 - 3.0	01U040CHB030X	6.0	6.0	8.0	17.5	11.1	0.8	6.0	4.3	400	1.9	1.8	0.8	
M5 x 0.80	0.0 - 1.5	1.5 - 3.5	01U050CHB015X	7.0	7.0	9.0	18.2	11.0	1.0	7.0	3.0	650	3.8	3.7	1.1	
	0.0 - 2.5	2.5 - 3.5	01U050CHB025X	7.0	7.0	9.0	19.2	12.0	1.0	7.0	4.0	650	3.8	3.7	1.1	
	1.5 - 3.5	3.5 - 5.5	01U050CHB035X	7.0	7.0	9.0	20.2	13.0	1.0	7.0	5.0	650	3.8	3.7	1.1	
M6 x 1.00	0.0 - 1.5	1.5 - 3.5	01U060CHB015X	9.0	9.0	11.0	22.4	14.0	1.2	9.0	3.4	1100	6.7	6.4	2.3	
	0.5 - 2.5	2.5 - 4.5	01U060CHB025X	9.0	9.0	11.0	23.4	15.0	1.2	9.0	4.4	1100	6.7	6.4	2.4	
	1.5 - 3.5	3.5 - 5.5	01U060CHB035X	9.0	9.0	11.0	24.4	16.5	1.2	9.0	5.4	1100	6.7	6.4	2.4	
M8 x 1.25	0.0 - 1.8	1.8 - 4.2	01U080CHB018X	11.0	11.0	14.0	25.5	17.1	1.5	11.0	3.7	1750	16.2	15.5	3.7	
	1.0 - 3.0	3.0 - 5.0	01U080CHB030X	11.0	11.0	14.0	26.7	18.1	1.5	11.0	4.9	1750	16.2	15.5	3.7	
	2.2 - 4.2	4.2 - 6.5	01U080CHB042X	11.0	11.0	14.0	27.9	19.1	1.5	11.0	6.1	1750	16.2	15.5	3.8	
M10 x 1.50	0.0 - 2.5	2.5 - 5.5	01U100CHB025X	13.0	13.0	16.0	32.8	21.0	1.5	13.0	5.3	2200	32	30.4	6.0	
	0.5 - 4.0	4.0 - 7.0	01U100CHB040X	13.0	13.0	16.0	34.3	22.5	1.5	13.0	6.8	2200	32	30.4	6.1	
	2.0 - 5.5	5.5 - 7.0	01U100CHB055X	13.0	13.0	16.0	35.8	24.0	1.5	13.0	8.3	2200	32	30.4	6.3	
M12 x 1.75	0.0 - 4.2	4.2 - 7.0	01U120CHB042X	16.0	16.0	20.0	37.9	25.4	1.7	16.0	7.3	3000	55	53	10.5	
	2.0 - 6.0	6.0 - 9.2	01U120CHB060X	16.0	16.0	20.0	39.7	27.2	1.7	16.0	9.1	3000	55	53	10.8	
	3.5 - 7.6	7.6 - 11.0	01U120CHB076X	16.0	16.0	20.0	41.3	28.5	1.7	16.0	10.7	3000	55	53	11.0	
M14 x 2.00	0.0 - 9.2	9.2 - 13.0	01U140CHB092X	18.0	18.0	23.0	43.6	29.6	2.0	18.0	7.0	3600	89	85	15.3	
	1.0 - 5.0	5.0 - 9.2	01U140CHB050X	18.0	18.0	23.0	45.5	31.5	2.0	18.0	9.0	3600	89	85	15.7	
	3.0 - 7.0	7.0 - 11.0	01U140CHB070X	18.0	18.0	23.0	47.5	33.5	2.0	18.0	11.0	3600	89	85	16.1	
M16 x 2.00	0.0 - 9.0	9.0 - 13.0	01U140CHB090X	18.0	18.0	23.0	49.5	35.5	2.0	18.0	13.0	3600	89	85	16.6	
	0.0 - 3.2	3.2 - 7.0	01U160CHB032X	21.0	21.0	26.0	46.3	30.5	2.5	21.0	8.2	5900	139	133	22.0	
	0.0 - 5.7	5.7 - 9.2	01U160CHB057X	21.0	21.0	26.0	48.8	33.0	2.5	21.0	10.7	5900	139	133	22.6	
M16 x 2.00	2.0 - 8.2	8.2 - 11.0	01U160CHB082X	21.0	21.0	26.0	51.3	35.5	2.5	21.0	13.2	5900	139	133	23.3	
	6.0 - 11.0	11.0 - 15.0	01U160CHB110X	21.0	21.0	26.0	54.1	38.0	2.5	21.0	16.0	5900	139	133	24.0	

Écrou à sertir en aveugle correspondant à l'ancienne désignation H ... CB ... ALUMINIUM
 Blind Rivet Nuts corresponding to old designation H ... CB ... ALUMINIUM