

## Écrous à sertir en aveugle Blind Rivet Nuts



Matière : Aluminium

Material : Aluminium

Tête : Affleurante

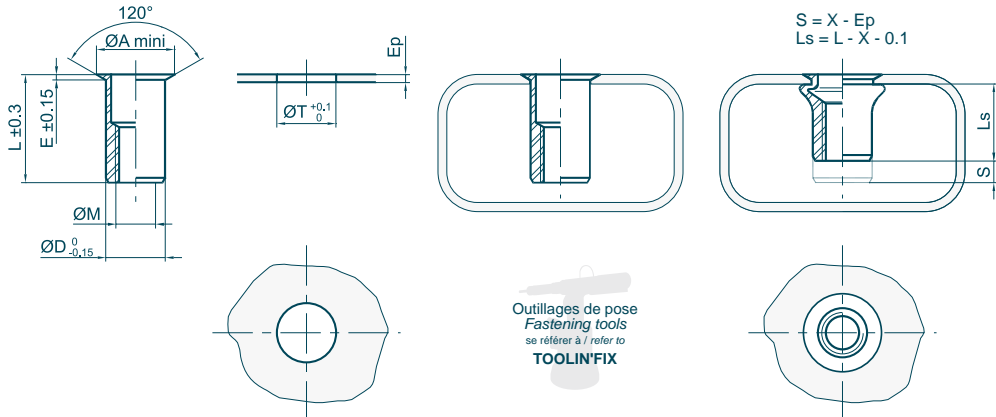
Head : Flush

Fût : Cylindrique

Body : Round

Extrémité du fût : Ouvert

Body end : Open Shape



Ø M	Ep		Code	mm ØT	Ø A	L	E	Ø D	X	daN	N,m	N,m	kg x1000
	min	max											
M2.5 x 0.45	0.0 - 1.1	0.8 - 1.7	01U025ARO011X	4.0	4.6	6.4	0.3	4.0	2.4	165	0.6	0.6	0.1
	0.0 - 1.1	0.8 - 1.7	01U025ARO017X	4.0	4.6	7.0	0.3	4.0	3.0	165	0.6	0.6	0.1
M3 x 0.50	0.0 - 1.1	0.0 - 4.1	01U030ARO011X	5.0	5.8	7.2	0.3	5.0	2.4	225	0.8	0.8	0.2
	1.0 - 2.3		01U030ARO023X	5.0	5.8	8.6	0.3	5.0	3.6	225	0.8	0.8	0.2
	2.1 - 3.2		01U030ARO032X	5.0	5.8	9.7	0.3	5.0	4.7	225	0.8	0.8	0.2
	3.0 - 4.1		01U030ARO041X	5.0	5.8	10.6	0.3	5.0	5.6	225	0.8	0.8	0.2
M4 x 0.70	0.0 - 1.3	0.5 - 3.0	01U040ARO013X	6.0	6.8	9.4	0.3	6.0	2.6	400	1.9	1.9	0.3
	0.5 - 3.0		01U040ARO030X	6.0	6.8	11.1	0.3	6.0	4.3	400	1.9	1.9	0.4
	1.8 - 4.2		01U040ARO042X	6.0	6.8	12.3	0.3	6.0	5.5	400	1.9	1.9	0.4
	3.5 - 5.5		01U040ARO055X	6.0	6.8	13.5	0.3	6.0	6.8	400	1.9	1.9	0.4
M5 x 0.80	0.0 - 1.5	0.0 - 1.5	01U050ARO015X	7.0	8.0	10.8	0.4	7.0	3.0	650	3.8	3.2	0.5
	0.0 - 2.5		01U050ARO025X	7.0	8.0	11.8	0.4	7.0	4.0	650	3.8	3.2	0.5
	0.5 - 3.5		01U050ARO035X	7.0	8.0	12.8	0.4	7.0	5.0	650	3.8	3.2	0.6
	1.5 - 4.5		01U050ARO045X	7.0	8.0	13.8	0.4	7.0	6.0	650	3.8	3.2	0.6
M6 x 1.00	0.0 - 1.5	0.0 - 1.5	01U060ARO015X	9.0	10.0	13.3	0.4	9.0	3.4	1100	6.7	6.0	1.2
	1.0 - 3.5		01U060ARO035X	9.0	10.0	15.3	0.4	9.0	5.4	1100	6.7	6.0	1.3
	2.0 - 4.5		01U060ARO045X	9.0	10.0	16.3	0.4	9.0	6.4	1100	6.7	6.0	1.3
	3.0 - 5.5		01U060ARO055X	9.0	10.0	17.3	0.4	9.0	7.4	1100	6.7	6.0	1.4
	4.0 - 6.5		01U060ARO065X	9.0	10.0	18.3	0.4	9.0	8.4	1100	6.7	6.0	1.4
M8 x 1.25	0.0 - 1.8	0.0 - 1.8	01U080ARO018X	11.0	12.0	14.7	0.4	11.0	3.7	1750	16.2	10.5	1.7
	0.0 - 3.0		01U080ARO030X	11.0	12.0	15.9	0.4	11.0	4.9	1750	16.2	10.5	1.8
	1.3 - 4.2		01U080ARO042X	11.0	12.0	17.2	0.4	11.0	6.2	1750	16.2	10.5	1.9
	2.0 - 5.0		01U080ARO050X	11.0	12.0	17.8	0.4	11.0	6.9	1750	16.2	10.5	1.9
	3.5 - 6.5		01U080ARO065X	11.0	12.0	19.3	0.4	11.0	8.4	1750	16.2	10.5	2.0
M10 x 1.50	0.0 - 3.2	2.0 - 5.5	01U100ARO032X	13.0	14.5	20.6	0.6	13.0	6.0	2200	32	16.4	3.0
	2.0 - 5.5		01U100ARO055X	13.0	14.5	22.9	0.6	13.0	8.3	2200	32	16.4	3.2
	3.0 - 6.5		01U100ARO065X	13.0	14.5	23.9	0.6	13.0	9.3	2200	32	16.4	3.3
	4.5 - 7.5		01U100ARO075X	13.0	14.5	24.9	0.6	13.0	10.3	2200	32	16.4	3.4
M12 x 1.75	0.0 - 4.2	2.0 - 6.0	01U120ARO042X	16.0	17.5	24.3	0.6	16.0	7.3	3000	55	23.5	5.4
	2.0 - 6.0		01U120ARO060X	16.0	17.5	26.1	0.6	16.0	9.1	3000	55	23.5	5.7
	3.5 - 7.6		01U120ARO076X	16.0	17.5	27.7	0.6	16.0	10.7	3000	55	23.5	5.9
	6.0 - 9.2		01U120ARO092X	16.0	17.5	29.2	0.6	16.0	12.3	3000	55	23.5	6.1
M14 x 2.00	0.0 - 3.0	1.0 - 5.0	01U140ARO030X	18.0	19.5	26.6	0.6	18.0	7.0	3600	89	31.5	7.5
	1.0 - 5.0		01U140ARO050X	18.0	19.5	28.6	0.6	18.0	9.0	3600	89	31.5	8.0
	3.0 - 7.0		01U140ARO070X	18.0	19.5	30.6	0.6	18.0	11.0	3600	89	31.5	8.4
	6.0 - 9.0		01U140ARO090X	18.0	19.5	32.6	0.6	18.0	13.0	3600	89	31.5	8.8
M16 x 2.00	0.0 - 3.2	0.0 - 5.7	01U160ARO032X	21.0	22.5	28.0	0.6	21.0	8.2	5900	139	41	10.6
	0.0 - 5.7		01U160ARO057X	21.0	22.5	30.5	0.6	21.0	10.7	5900	139	41	11.2
	2.0 - 8.2		01U160ARO082X	21.0	22.5	32.9	0.6	21.0	13.2	5900	139	41	11.9
	6.0 - 11.0		01U160ARO110X	21.0	22.5	35.7	0.6	21.0	16.0	5900	139	41	12.6

Écrou à sertir en aveugle correspondant à l'ancienne désignation M ... FO ... ALUMINIUM  
Blind Rivet Nuts corresponding to old designation M ... FO ... ALUMINIUM