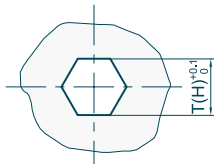
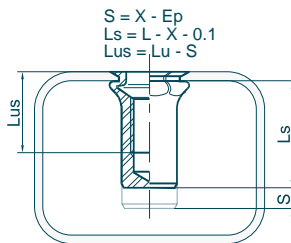
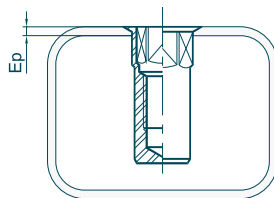
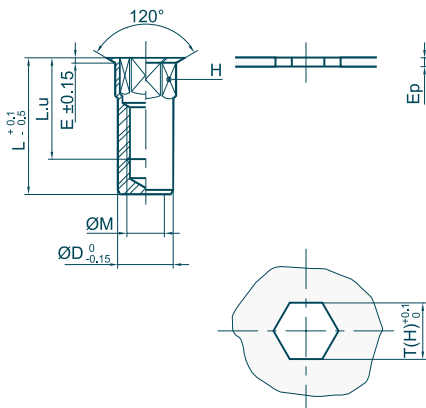




Écrous à sertir en aveugle Blind Rivet Nuts

| | |
|-----------------------|---------------------------|
| Material : Aluminium | Matière : Aluminium |
| Head : Flush | Tête : Affleurante |
| Body : Hexagonal | Fût : Hexagonal |
| Body end : Closed End | Extrémité du fût : Borgne |



Outillages de pose
Fastening tools
se référer à / refer to
TOOLIN'FIX

| Ø M | Ep | | Code | H | mm | | A | L | Lu | E | Ø D | X | Fastening tools | | | kg x1000 |
|-------------|------------|-------------|---------------|------|------|------|------|------|-----|------|------|------|-----------------|------|------|----------|
| | min | max | | | T(H) | A | | | | | | | daN | N.m | N.m | |
| M2.5 x 0.45 | 0.0 - 1.1 | 1.1 - 1.7 | 01U025AHB011X | 4.0 | 4.0 | 4.6 | 9.7 | 5.6 | 0.3 | 4.0 | 2.4 | 165 | 0.6 | 0.6 | 0.2 | |
| | 1.1 - 1.7 | 1.7 - 2.3 | 01U025AHB017X | 4.0 | 4.0 | 4.6 | 10.3 | 6.5 | 0.3 | 4.0 | 3.0 | 165 | 0.6 | 0.6 | 0.2 | |
| M3 x 0.50 | 0.0 - 1.1 | 1.1 - 1.7 | 01U030AHB011X | 5.0 | 5.0 | 5.8 | 11.9 | 6.7 | 0.3 | 5.0 | 2.4 | 225 | 0.8 | 0.8 | 0.4 | |
| | 1.0 - 2.3 | 2.3 - 3.0 | 01U030AHB023X | 5.0 | 5.0 | 5.8 | 13.1 | 8.2 | 0.3 | 5.0 | 3.6 | 225 | 0.8 | 0.8 | 0.4 | |
| | 2.1 - 3.2 | 3.2 - 4.1 | 01U030AHB032X | 5.0 | 5.0 | 5.8 | 13.8 | 8.7 | 0.3 | 5.0 | 4.7 | 225 | 0.8 | 0.8 | 0.4 | |
| | 3.0 - 4.1 | 4.1 - 5.0 | 01U030AHB041X | 5.0 | 5.0 | 5.8 | 14.7 | 9.6 | 0.3 | 5.0 | 5.6 | 225 | 0.8 | 0.8 | 0.4 | |
| M4 x 0.70 | 0.0 - 1.3 | 1.3 - 2.1 | 01U040AHB013X | 6.0 | 6.0 | 6.8 | 15.1 | 8.5 | 0.3 | 6.0 | 2.6 | 400 | 1.9 | 1.8 | 0.7 | |
| | 1.0 - 3.0 | 3.0 - 4.2 | 01U040AHB030X | 6.0 | 6.0 | 6.8 | 16.7 | 10.1 | 0.3 | 6.0 | 4.3 | 400 | 1.9 | 1.8 | 0.7 | |
| | 2.2 - 4.2 | 4.2 - 5.5 | 01U040AHB042X | 6.0 | 6.0 | 6.8 | 18.0 | 11.4 | 0.3 | 6.0 | 5.5 | 400 | 1.9 | 1.8 | 0.7 | |
| | 3.0 - 5.5 | 5.5 - 6.0 | 01U040AHB055X | 6.0 | 6.0 | 6.8 | 19.5 | 12.9 | 0.3 | 6.0 | 6.8 | 400 | 1.9 | 1.8 | 0.7 | |
| M5 x 0.80 | 0.0 - 1.5 | 1.5 - 2.5 | 01U050AHB015X | 7.0 | 7.0 | 8.0 | 16.8 | 10.5 | 0.4 | 7.0 | 3.0 | 650 | 3.8 | 3.7 | 0.9 | |
| | 0.5 - 2.5 | 2.5 - 3.5 | 01U050AHB025X | 7.0 | 7.0 | 8.0 | 17.8 | 11.5 | 0.4 | 7.0 | 4.0 | 650 | 3.8 | 3.7 | 1.0 | |
| | 1.5 - 3.5 | 3.5 - 4.5 | 01U050AHB035X | 7.0 | 7.0 | 8.0 | 19.3 | 13.0 | 0.4 | 7.0 | 5.0 | 650 | 3.8 | 3.7 | 1.0 | |
| | 2.5 - 4.5 | 4.5 - 6.5 | 01U050AHB045X | 7.0 | 7.0 | 8.0 | 20.3 | 14.0 | 0.4 | 7.0 | 6.0 | 650 | 3.8 | 3.7 | 1.1 | |
| M6 x 1.00 | 0.0 - 1.5 | 1.5 - 2.5 | 01U060AHB015X | 9.0 | 9.0 | 10.0 | 21.3 | 12.5 | 0.4 | 9.0 | 3.4 | 1100 | 6.7 | 6.4 | 2.2 | |
| | 1.5 - 3.5 | 3.5 - 4.5 | 01U060AHB035X | 9.0 | 9.0 | 10.0 | 23.3 | 14.5 | 0.4 | 9.0 | 5.4 | 1100 | 6.7 | 6.4 | 2.3 | |
| | 2.5 - 4.5 | 4.5 - 6.5 | 01U060AHB045X | 9.0 | 9.0 | 10.0 | 24.3 | 15.5 | 0.4 | 9.0 | 6.4 | 1100 | 6.7 | 6.4 | 2.3 | |
| | 3.5 - 6.5 | 6.5 - 9.0 | 01U060AHB055X | 9.0 | 9.0 | 10.0 | 25.3 | 16.5 | 0.4 | 9.0 | 7.4 | 1100 | 6.7 | 6.4 | 2.4 | |
| M8 x 1.25 | 0.0 - 1.8 | 1.8 - 3.0 | 01U080AHB018X | 11.0 | 11.0 | 12.0 | 24.2 | 13.7 | 0.4 | 11.0 | 3.7 | 1750 | 16.2 | 15.5 | 3.4 | |
| | 1.0 - 3.0 | 3.0 - 4.2 | 01U080AHB030X | 11.0 | 11.0 | 12.0 | 25.4 | 14.9 | 0.4 | 11.0 | 4.9 | 1750 | 16.2 | 15.5 | 3.4 | |
| | 2.3 - 4.2 | 4.2 - 5.5 | 01U080AHB042X | 11.0 | 11.0 | 12.0 | 26.7 | 16.2 | 0.4 | 11.0 | 6.2 | 1750 | 16.2 | 15.5 | 3.5 | |
| | 3.0 - 5.0 | 5.5 - 6.5 | 01U080AHB050X | 11.0 | 11.0 | 12.0 | 27.5 | 16.8 | 0.4 | 11.0 | 6.9 | 1750 | 16.2 | 15.5 | 3.7 | |
| M10 x 1.50 | 0.0 - 3.2 | 3.2 - 4.5 | 01U100AHB032X | 13.0 | 13.0 | 14.5 | 31.9 | 21.4 | 0.6 | 13.0 | 6.0 | 2200 | 32 | 30.4 | 5.6 | |
| | 2.0 - 5.5 | 5.5 - 7.5 | 01U100AHB055X | 13.0 | 13.0 | 14.5 | 34.4 | 23.0 | 0.6 | 13.0 | 8.3 | 2200 | 32 | 30.4 | 5.9 | |
| | 3.0 - 6.5 | 6.5 - 7.5 | 01U100AHB065X | 13.0 | 13.0 | 14.5 | 35.4 | 24.0 | 0.6 | 13.0 | 9.3 | 2200 | 32 | 30.4 | 6.0 | |
| | 4.5 - 7.5 | 7.5 - 10.0 | 01U100AHB075X | 13.0 | 13.0 | 14.5 | 36.4 | 25.0 | 0.6 | 13.0 | 10.3 | 2200 | 32 | 30.4 | 6.1 | |
| M12 x 1.75 | 0.0 - 4.2 | 4.2 - 6.0 | 01U120AHB042X | 16.0 | 16.0 | 17.5 | 36.3 | 23.7 | 0.6 | 16.0 | 7.3 | 3000 | 55 | 53 | 9.8 | |
| | 2.0 - 6.0 | 6.0 - 7.6 | 01U120AHB060X | 16.0 | 16.0 | 17.5 | 38.2 | 25.6 | 0.6 | 16.0 | 9.1 | 3000 | 55 | 53 | 10.1 | |
| | 3.5 - 7.6 | 7.6 - 9.2 | 01U120AHB076X | 16.0 | 16.0 | 17.5 | 39.7 | 27.0 | 0.6 | 16.0 | 10.7 | 3000 | 55 | 53 | 10.3 | |
| | 6.0 - 9.2 | 9.2 - 10.0 | 01U120AHB092X | 16.0 | 16.0 | 17.5 | 41.3 | 28.5 | 0.6 | 16.0 | 12.3 | 3000 | 55 | 53 | 10.5 | |
| M14 x 2.00 | 0.0 - 3.0 | 3.0 - 5.0 | 01U140AHB030X | 18.0 | 18.0 | 19.5 | 41.6 | 27.6 | 0.6 | 18.0 | 7.0 | 3600 | 89 | 85 | 14.0 | |
| | 1.0 - 5.0 | 5.0 - 7.0 | 01U140AHB050X | 18.0 | 18.0 | 19.5 | 43.6 | 29.6 | 0.6 | 18.0 | 9.0 | 3600 | 89 | 85 | 14.4 | |
| | 3.0 - 7.0 | 7.0 - 9.0 | 01U140AHB070X | 18.0 | 18.0 | 19.5 | 45.6 | 31.6 | 0.6 | 18.0 | 11.0 | 3600 | 89 | 85 | 14.9 | |
| | 6.0 - 9.0 | 9.0 - 11.0 | 01U140AHB090X | 18.0 | 18.0 | 19.5 | 47.6 | 33.6 | 0.6 | 18.0 | 13.0 | 3600 | 89 | 85 | 15.3 | |
| M16 x 2.00 | 0.0 - 3.2 | 3.2 - 5.7 | 01U160AHB032X | 21.0 | 21.0 | 22.5 | 44.1 | 27.2 | 0.6 | 21.0 | 8.2 | 5900 | 139 | 133 | 20.2 | |
| | 0.0 - 5.7 | 5.7 - 8.2 | 01U160AHB057X | 21.0 | 21.0 | 22.5 | 46.5 | 29.6 | 0.6 | 21.0 | 10.7 | 5900 | 139 | 133 | 20.8 | |
| | 2.0 - 8.2 | 8.2 - 11.0 | 01U160AHB082X | 21.0 | 21.0 | 22.5 | 48.9 | 32.0 | 0.6 | 21.0 | 13.2 | 5900 | 139 | 133 | 21.5 | |
| | 6.0 - 11.0 | 11.0 - 14.0 | 01U160AHB110X | 21.0 | 21.0 | 22.5 | 51.9 | 34.7 | 0.6 | 21.0 | 16.0 | 5900 | 139 | 133 | 22.2 | |

Écrou à sertir en aveugle correspondant à l'ancienne désignation H ... fB ... ALUMINIUM
Blind Rivet Nuts corresponding to old designation H ... fB ... ALUMINIUM