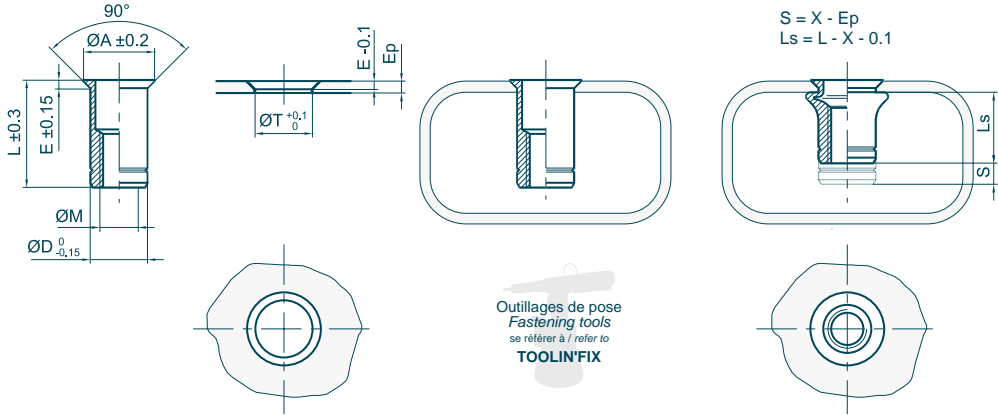




Écrous à sertir en aveugle Blind Rivet Nuts



Matière : Inox 316L Material : 316L Stainless Steel
 Tête : Fraisée Head : Countersunk
 Fût : Cylindrique Body : Round
 Extrémité du fût : Ouvert Body end : Open Shape



Ø M	Ep		Code	mm		Ø A	L	E	Ø D	X	daN	N,m	N,m	kg x1000
	min	max		ØT	ØA									
M2.5 x 0.45	1.0	1.7	01M025FRO017X	4.0	5.0	7.0	0.6	4.0	3.0	325	1.0	0.8	0.3	
M3 x 0.50	1.1	1.7	01M030FRO017X	5.0	6.8	7.3	1.0	5.0	2.9	500	1.4	1.0	0.6	
	1.1	2.3	01M030FRO023X	5.0	6.8	7.9	1.0	5.0	3.5	500	1.4	1.0	0.6	
	2.3	3.0	01M030FRO030X	5.0	6.8	8.5	1.0	5.0	4.1	500	1.4	1.0	0.6	
	1.1	2.1	01M040FRO021X	6.0	7.8	9.2	1.0	6.0	3.4	825	3.2	2.1	1.0	
M4 x 0.70	1.8	3.0	01M040FRO030X	6.0	7.8	10.1	1.0	6.0	4.3	825	3.2	2.1	1.0	
	2.5	3.7	01M040FRO037X	6.0	7.8	10.8	1.0	6.0	5.0	825	3.2	2.1	1.1	
	1.1	2.5	01M050FRO025X	7.0	8.8	10.6	1.0	7.0	4.1	1150	6.4	3.2	1.4	
	1.1	3.5	01M050FRO035X	7.0	8.8	11.6	1.0	7.0	5.1	1150	6.4	3.2	1.5	
M5 x 0.80	3.0	4.5	01M050FRO045X	7.0	8.8	12.6	1.0	7.0	6.1	1150	6.4	3.2	1.6	
	1.1	2.5	01M060FRO025X	9.0	10.8	12.9	1.0	9.0	4.5	1950	11.1	6.0	3.2	
	1.1	3.5	01M060FRO035X	9.0	10.8	13.9	1.0	9.0	5.5	1950	11.1	6.0	3.3	
	2.0	4.5	01M060FRO045X	9.0	10.8	14.9	1.0	9.0	6.5	1950	11.1	6.0	3.5	
M6 x 1.00	3.0	5.5	01M060FRO055X	9.0	10.8	15.9	1.0	9.0	7.5	1950	11.1	6.0	3.6	
	1.8	3.0	01M080FRO030X	11.0	13.8	15.6	1.5	11.0	5.2	3200	27	10.5	5.3	
	1.8	4.2	01M080FRO042X	11.0	13.8	16.8	1.5	11.0	6.4	3200	27	10.5	5.5	
	2.5	5.0	01M080FRO050X	11.0	13.8	17.6	1.5	11.0	7.2	3200	27	10.5	5.8	
M8 x 1.25	4.5	6.5	01M080FRO065X	11.0	13.8	18.8	1.5	11.0	8.7	3200	27	10.5	5.9	
	1.8	4.0	01M100FRO040X	13.0	15.8	19.9	1.5	13.0	7.0	4350	53	16.4	8.5	
	2.5	5.5	01M100FRO055X	13.0	15.8	21.4	1.5	13.0	8.5	4350	53	16.4	8.9	
	4.5	7.0	01M100FRO070X	13.0	15.8	22.9	1.5	13.0	10.0	4350	53	16.4	9.3	
M10 x 1.50	2.5	4.2	01M120FRO042X	16.0	19.8	23.5	2.0	16.0	8.1	6500	92	23.5	15.3	
	2.5	6.0	01M120FRO060X	16.0	19.8	25.3	2.0	16.0	9.9	6500	92	23.5	16.0	
	4.0	7.6	01M120FRO076X	16.0	19.8	26.8	2.0	16.0	11.5	6500	92	23.5	16.7	
	7.0	9.2	01M120FRO092X	16.0	19.8	28.4	2.0	16.0	13.1	6500	92	23.5	17.7	
M14 x 2.00	3.0	5.0	01M140FRO050X	18.0	22.8	26.7	2.5	18.0	9.3	7800	148	31.5	22.6	
	4.0	7.0	01M140FRO070X	18.0	22.8	28.7	2.5	18.0	11.3	7800	148	31.5	23.9	
	7.0	9.0	01M140FRO090X	18.0	22.8	30.7	2.5	18.0	13.3	7800	148	31.5	25.2	
M16 x 2.00	3.0	5.7	01M160FRO057X	21.0	25.8	28.0	2.5	21.0	10.9	10500	232	41	31.0	
	3.5	8.2	01M160FRO082X	21.0	25.8	30.5	2.5	21.0	13.4	10500	232	41	32.9	
	7.0	11.0	01M160FRO110X	21.0	25.8	33.3	2.5	21.0	16.2	10500	232	41	35.2	

Écrou à sertir en aveugle correspondant à l'ancienne désignation M ... FO ... INOX MOLYBDENE
 Blind Rivet Nuts corresponding to old designation M ... FO ... MOLYBDENUM STAINLESS STEEL