



Écrous à sertir en aveugle Blind Rivet Nuts

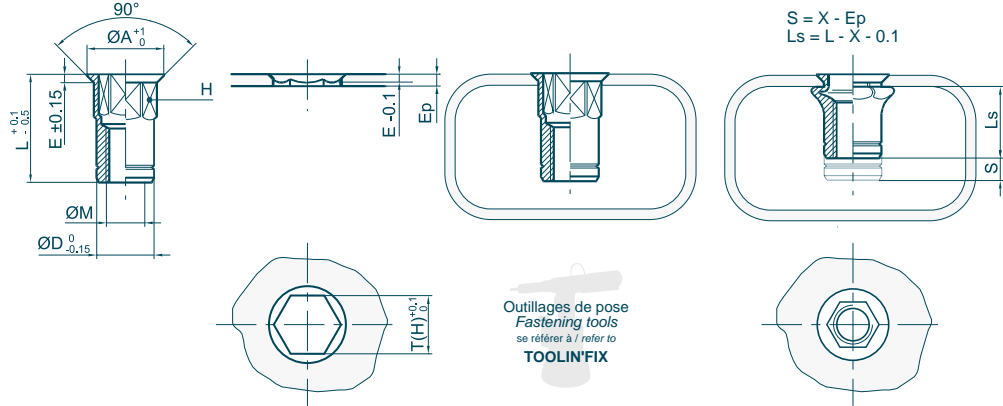


Matière : Inox 316L *Material : 316L Stainless Steel*

Tête : Fraisée *Head : Countersunk*

Fût : Hexagonal *Body : Hexagonal*

Extrémité du fût : Ouvert *Body end : Open Shape*



| Ø M | Ep min - max | Code | H | mm T(H) | Ø A | L | E | Ø D | X indicative data | daN | | | kg x1000 |
|-------------|-----------------|---------------|------|------------|------|------|-----|------|----------------------|-------|------|------|-------------|
| | | | | | | | | | | daN | N.m | N.m | |
| M2.5 x 0.45 | 1.0 - 1.7 | 01M025FHO017X | 4.0 | 4.0 | 5.0 | 7.0 | 0.6 | 4.0 | 3.0 | 325 | 1.0 | 1.0 | 0.3 |
| M3 x 0.50 | 1.1 - 1.7 | 01M030FHO017X | 5.0 | 5.0 | 6.8 | 7.3 | 1.0 | 5.0 | 2.9 | 500 | 1.4 | 1.3 | 0.6 |
| | 1.1 - 2.3 | 01M030FHO023X | 5.0 | 5.0 | 6.8 | 7.9 | 1.0 | 5.0 | 3.5 | 500 | 1.4 | 1.3 | 0.6 |
| | 2.3 - 3.0 | 01M030FHO030X | 5.0 | 5.0 | 6.8 | 8.5 | 1.0 | 5.0 | 4.1 | 500 | 1.4 | 1.3 | 0.6 |
| | 1.1 - 2.1 | 01M040FHO021X | 6.0 | 6.0 | 7.8 | 9.2 | 1.0 | 6.0 | 3.4 | 825 | 3.2 | 3.1 | 1.0 |
| M4 x 0.70 | 1.8 - 3.0 | 01M040FHO030X | 6.0 | 6.0 | 7.8 | 10.1 | 1.0 | 6.0 | 4.3 | 825 | 3.2 | 3.1 | 1.0 |
| | 2.5 - 3.7 | 01M040FHO037X | 6.0 | 6.0 | 7.8 | 10.8 | 1.0 | 6.0 | 5.0 | 825 | 3.2 | 3.1 | 1.1 |
| | 1.1 - 2.5 | 01M050FHO025X | 7.0 | 7.0 | 8.8 | 10.6 | 1.0 | 7.0 | 4.1 | 1150 | 6.4 | 6.1 | 1.4 |
| | 1.5 - 3.5 | 01M050FHO035X | 7.0 | 7.0 | 8.8 | 11.6 | 1.0 | 7.0 | 5.1 | 1150 | 6.4 | 6.1 | 1.5 |
| M5 x 0.80 | 3.0 - 4.5 | 01M050FHO045X | 7.0 | 7.0 | 8.8 | 12.6 | 1.0 | 7.0 | 6.1 | 1150 | 6.4 | 6.1 | 1.6 |
| | 1.1 - 2.5 | 01M060FHO025X | 9.0 | 9.0 | 10.8 | 12.9 | 1.0 | 9.0 | 4.5 | 1950 | 11.1 | 10.6 | 3.2 |
| | 1.5 - 3.5 | 01M060FHO035X | 9.0 | 9.0 | 10.8 | 13.9 | 1.0 | 9.0 | 5.5 | 1950 | 11.1 | 10.6 | 3.3 |
| | 2.5 - 4.5 | 01M060FHO045X | 9.0 | 9.0 | 10.8 | 14.9 | 1.0 | 9.0 | 6.5 | 1950 | 11.1 | 10.6 | 3.5 |
| M6 x 1.00 | 3.5 - 5.5 | 01M060FHO055X | 9.0 | 9.0 | 10.8 | 15.9 | 1.0 | 9.0 | 7.5 | 1950 | 11.1 | 10.6 | 3.6 |
| | 1.8 - 3.0 | 01M080FHO030X | 11.0 | 11.0 | 13.8 | 15.6 | 1.5 | 11.0 | 5.2 | 3200 | 27 | 25.8 | 5.3 |
| | 2.2 - 4.2 | 01M080FHO042X | 11.0 | 11.0 | 13.8 | 16.8 | 1.5 | 11.0 | 6.4 | 3200 | 27 | 25.8 | 5.5 |
| | 3.0 - 5.0 | 01M080FHO050X | 11.0 | 11.0 | 13.8 | 17.6 | 1.5 | 11.0 | 7.2 | 3200 | 27 | 25.8 | 5.8 |
| M8 x 1.25 | 4.5 - 6.5 | 01M080FHO065X | 11.0 | 11.0 | 13.8 | 18.8 | 1.5 | 11.0 | 8.7 | 3200 | 27 | 25.8 | 5.9 |
| | 1.8 - 4.0 | 01M100FHO040X | 13.0 | 13.0 | 15.8 | 19.9 | 1.5 | 13.0 | 7.0 | 4350 | 53 | 51 | 8.5 |
| | 2.5 - 5.5 | 01M100FHO055X | 13.0 | 13.0 | 15.8 | 21.4 | 1.5 | 13.0 | 8.5 | 4350 | 53 | 51 | 8.9 |
| | 4.5 - 7.0 | 01M100FHO070X | 13.0 | 13.0 | 15.8 | 22.9 | 1.5 | 13.0 | 10.0 | 4350 | 53 | 51 | 9.3 |
| M10 x 1.50 | 2.5 - 4.2 | 01M120FHO042X | 16.0 | 16.0 | 19.8 | 23.5 | 2.0 | 16.0 | 8.1 | 6500 | 92 | 88 | 15.3 |
| | 2.5 - 6.0 | 01M120FHO060X | 16.0 | 16.0 | 19.8 | 25.3 | 2.0 | 16.0 | 9.9 | 6500 | 92 | 88 | 16.0 |
| | 4.0 - 7.6 | 01M120FHO076X | 16.0 | 16.0 | 19.8 | 26.8 | 2.0 | 16.0 | 11.5 | 6500 | 92 | 88 | 16.7 |
| | 7.0 - 9.2 | 01M120FHO092X | 16.0 | 16.0 | 19.8 | 28.4 | 2.0 | 16.0 | 13.1 | 6500 | 92 | 88 | 17.7 |
| M14 x 2.00 | 3.0 - 5.0 | 01M140FHO050X | 18.0 | 18.0 | 22.8 | 26.7 | 2.5 | 18.0 | 9.3 | 7800 | 148 | 142 | 22.6 |
| | 4.0 - 7.0 | 01M140FHO070X | 18.0 | 18.0 | 22.8 | 28.7 | 2.5 | 18.0 | 11.3 | 7800 | 148 | 142 | 23.9 |
| | 7.0 - 9.0 | 01M140FHO090X | 18.0 | 18.0 | 22.8 | 30.7 | 2.5 | 18.0 | 13.3 | 7800 | 148 | 142 | 25.2 |
| M16 x 2.00 | 3.0 - 5.7 | 01M160FHO057X | 21.0 | 21.0 | 25.8 | 28.0 | 2.5 | 21.0 | 10.9 | 10500 | 232 | 222 | 31.0 |
| | 3.5 - 8.2 | 01M160FHO082X | 21.0 | 21.0 | 25.8 | 30.5 | 2.5 | 21.0 | 13.4 | 10500 | 232 | 222 | 32.9 |
| | 7.0 - 11.0 | 01M160FHO110X | 21.0 | 21.0 | 25.8 | 33.3 | 2.5 | 21.0 | 16.2 | 10500 | 232 | 222 | 35.2 |

Écrou à sertir en aveugle correspondant à l'ancienne désignation H ... FO ... INOX MOLYBDENE
Blind Rivet Nuts corresponding to old designation H ... FO ... MOLYBDENUM STAINLESS STEEL