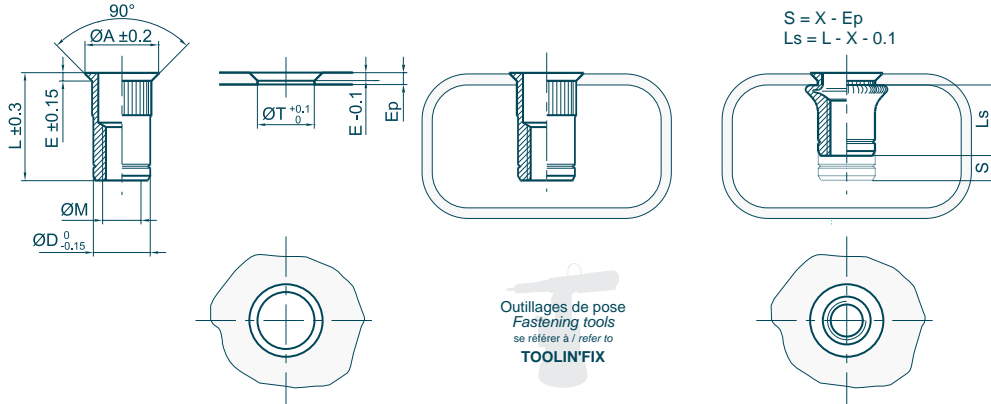




Écrous à sertir en aveugle Blind Rivet Nuts



Matière : Inox 316L Material : 316L Stainless Steel
 Tête : Fraisée Head : Countersunk
 Fût : Cannelé Body : Knurled
 Extrémité du fût : Ouvert Body end : Open Shape



| Ø M | Ep min - max | Code | mm ØT | Ø A | L | E | Ø D | X indicative data | daN | N,m | N,m | kg x1000 |
|-------------|-----------------|---------------|----------|------|------|-----|------|----------------------|-------|------|------|-------------|
| | | | | | | | | | | | | |
| M2.5 x 0.45 | 1.0 - 1.7 | 01M025FCO017X | 4.0 | 5.0 | 7.0 | 0.4 | 4.0 | 3.0 | 325 | 1.0 | 0.8 | 0.3 |
| M3 x 0.50 | 1.1 - 1.7 | 01M030FCO017X | 5.0 | 6.8 | 7.3 | 1.0 | 5.0 | 2.9 | 500 | 1.4 | 1.0 | 0.6 |
| | 1.1 - 2.3 | 01M030FCO023X | 5.0 | 6.8 | 7.9 | 1.0 | 5.0 | 3.5 | 500 | 1.4 | 1.0 | 0.6 |
| | 2.3 - 3.0 | 01M030FCO030X | 5.0 | 6.8 | 8.5 | 1.0 | 5.0 | 4.1 | 500 | 1.4 | 1.0 | 0.6 |
| M4 x 0.70 | 1.1 - 2.1 | 01M040FCO021X | 6.0 | 7.8 | 9.2 | 1.0 | 6.0 | 3.4 | 825 | 3.2 | 2.1 | 1.0 |
| | 1.8 - 3.0 | 01M040FCO030X | 6.0 | 7.8 | 10.1 | 1.0 | 6.0 | 4.3 | 825 | 3.2 | 2.1 | 1.0 |
| | 2.5 - 3.7 | 01M040FCO037X | 6.0 | 7.8 | 10.8 | 1.0 | 6.0 | 5.0 | 825 | 3.2 | 2.1 | 1.1 |
| | 1.1 - 2.5 | 01M050FCO025X | 7.0 | 8.8 | 10.6 | 1.0 | 7.0 | 4.1 | 1150 | 6.4 | 3.2 | 1.4 |
| M5 x 0.80 | 1.5 - 3.5 | 01M050FCO035X | 7.0 | 8.8 | 11.6 | 1.0 | 7.0 | 5.1 | 1150 | 6.4 | 3.2 | 1.5 |
| | 3.0 - 4.5 | 01M050FCO045X | 7.0 | 8.8 | 12.6 | 1.0 | 7.0 | 6.1 | 1150 | 6.4 | 3.2 | 1.6 |
| | 1.1 - 2.5 | 01M060FCO025X | 9.0 | 10.8 | 12.9 | 1.0 | 9.0 | 4.5 | 1950 | 11.1 | 6.0 | 3.2 |
| M6 x 1.00 | 1.5 - 3.5 | 01M060FCO035X | 9.0 | 10.8 | 13.9 | 1.0 | 9.0 | 5.5 | 1950 | 11.1 | 6.0 | 3.3 |
| | 2.5 - 4.5 | 01M060FCO045X | 9.0 | 10.8 | 14.9 | 1.0 | 9.0 | 6.5 | 1950 | 11.1 | 6.0 | 3.5 |
| | 3.5 - 5.5 | 01M060FCO055X | 9.0 | 10.8 | 15.9 | 1.0 | 9.0 | 7.5 | 1950 | 11.1 | 6.0 | 3.6 |
| | 1.8 - 3.0 | 01M080FCO030X | 11.0 | 13.8 | 15.6 | 1.5 | 11.0 | 5.2 | 3200 | 27 | 10.5 | 5.3 |
| M8 x 1.25 | 2.2 - 4.2 | 01M080FCO042X | 11.0 | 13.8 | 16.8 | 1.5 | 11.0 | 6.4 | 3200 | 27 | 10.5 | 5.5 |
| | 3.0 - 5.0 | 01M080FCO050X | 11.0 | 13.8 | 17.6 | 1.5 | 11.0 | 7.2 | 3200 | 27 | 10.5 | 5.8 |
| | 4.5 - 6.5 | 01M080FCO065X | 11.0 | 13.8 | 18.8 | 1.5 | 11.0 | 8.7 | 3200 | 27 | 10.5 | 5.9 |
| | 1.8 - 4.0 | 01M100FCO040X | 13.0 | 15.8 | 19.9 | 1.5 | 13.0 | 7.0 | 4350 | 53 | 16.4 | 8.5 |
| | 2.5 - 5.5 | 01M100FCO055X | 13.0 | 15.8 | 21.4 | 1.5 | 13.0 | 8.5 | 4350 | 53 | 16.4 | 8.9 |
| M10 x 1.50 | 4.5 - 7.0 | 01M100FCO070X | 13.0 | 15.8 | 22.9 | 1.5 | 13.0 | 10.0 | 4350 | 53 | 16.4 | 9.3 |
| | 2.5 - 4.2 | 01M120FCO042X | 16.0 | 19.8 | 23.5 | 2.0 | 16.0 | 8.1 | 6500 | 92 | 23.5 | 15.3 |
| | 2.5 - 6.0 | 01M120FCO060X | 16.0 | 19.8 | 25.3 | 2.0 | 16.0 | 9.9 | 6500 | 92 | 23.5 | 16.0 |
| | 4.0 - 7.6 | 01M120FCO076X | 16.0 | 19.8 | 26.8 | 2.0 | 16.0 | 11.5 | 6500 | 92 | 23.5 | 16.7 |
| M12 x 1.75 | 7.0 - 9.2 | 01M120FCO092X | 16.0 | 19.8 | 28.4 | 2.0 | 16.0 | 13.1 | 6500 | 92 | 23.5 | 17.7 |
| | 3.0 - 5.0 | 01M140FCO050X | 18.0 | 22.8 | 26.7 | 2.5 | 18.0 | 9.3 | 7800 | 148 | 31.5 | 22.6 |
| | 4.0 - 7.0 | 01M140FCO070X | 18.0 | 22.8 | 28.7 | 2.5 | 18.0 | 11.3 | 7800 | 148 | 31.5 | 23.9 |
| M14 x 2.00 | 7.0 - 9.0 | 01M140FCO090X | 18.0 | 22.8 | 30.7 | 2.5 | 18.0 | 13.3 | 7800 | 148 | 31.5 | 25.2 |
| | 3.0 - 5.7 | 01M160FCO057X | 21.0 | 25.8 | 28.0 | 2.5 | 21.0 | 10.9 | 10500 | 232 | 41 | 31.0 |
| | 3.5 - 8.2 | 01M160FCO082X | 21.0 | 25.8 | 30.5 | 2.5 | 21.0 | 13.4 | 10500 | 232 | 41 | 32.9 |
| | 7.0 - 11.0 | 01M160FCO110X | 21.0 | 25.8 | 33.3 | 2.5 | 21.0 | 16.2 | 10500 | 232 | 41 | 35.2 |

Écrou à sertir en aveugle correspondant à l'ancienne désignation C ... FO ... INOX MOLYBDENE
 Blind Rivet Nuts corresponding to old designation C ... FO ... MOLYBDENUM STAINLESS STEEL