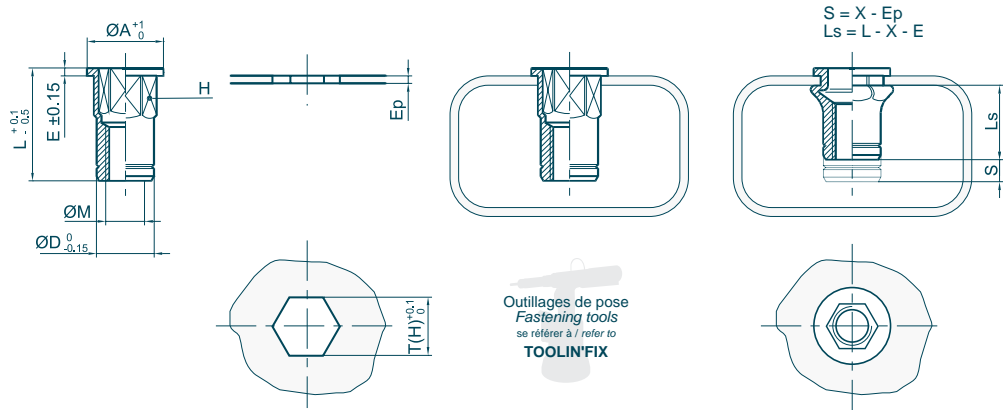


Écrous à sertir en aveugle Blind Rivet Nuts



Matière : Inox 316L Material : 316L Stainless Steel
Tête : Cylindrique Head : Flange
Fût : Hexagonal Body : Hexagonal
Extrémité du fût : Ouvert Body end : Open Shape



Ø M	Ep		Code	H	mm		Ø A	L	E	Ø D	X	daN	N,m	N,m	kg x1000
	min	max			T(H)										
M2.5 x 0.45	0.0 - 1.1	0.1M025CHO011X	4.0	4.0	6.0	6.9	0.6	4.0	2.4	325	1.0	1.0	0.4		
	1.0 - 1.7	01M025CHO017X	4.0	4.0	6.0	7.5	0.6	4.0	3.0	325	1.0	1.0	0.4		
M3 x 0.50	0.0 - 1.1	01M030CHO011X	5.0	5.0	7.0	7.4	0.8	5.0	2.3	500	1.4	1.3	0.6		
	0.0 - 1.7	01M030CHO017X	5.0	5.0	7.0	8.0	0.8	5.0	2.9	500	1.4	1.3	0.7		
	1.0 - 2.3	01M030CHO023X	5.0	5.0	7.0	8.6	0.8	5.0	3.5	500	1.4	1.3	0.7		
	2.3 - 3.0	01M030CHO030X	5.0	5.0	7.0	9.2	0.8	5.0	4.1	500	1.4	1.3	0.7		
M4 x 0.70	0.0 - 1.3	01M040CHO013X	6.0	6.0	8.0	9.1	0.8	6.0	2.6	825	3.2	3.1	1.0		
	0.8 - 2.1	01M040CHO021X	6.0	6.0	8.0	9.8	0.8	6.0	3.3	825	3.2	3.1	1.1		
	1.8 - 3.0	01M040CHO030X	6.0	6.0	8.0	10.7	0.8	6.0	4.3	825	3.2	3.1	1.1		
	2.5 - 3.7	01M040CHO037X	6.0	6.0	8.0	11.5	0.8	6.0	5.0	825	3.2	3.1	1.2		
M5 x 0.80	0.0 - 1.5	01M050CHO015X	7.0	7.0	9.0	10.5	1.0	7.0	3.1	1150	6.4	6.1	1.5		
	0.5 - 2.5	01M050CHO025X	7.0	7.0	9.0	11.5	1.0	7.0	4.1	1150	6.4	6.1	1.6		
	1.5 - 3.5	01M050CHO035X	7.0	7.0	9.0	12.2	1.0	7.0	5.1	1150	6.4	6.1	1.7		
	3.0 - 4.5	01M050CHO045X	7.0	7.0	9.0	13.5	1.0	7.0	6.1	1150	6.4	6.1	1.8		
M6 x 1.00	0.0 - 1.5	01M060CHO015X	9.0	9.0	11.0	13.0	1.2	9.0	3.5	1950	11.1	10.6	3.4		
	0.5 - 2.5	01M060CHO025X	9.0	9.0	11.0	14.0	1.2	9.0	4.5	1950	11.1	10.6	3.5		
	1.5 - 3.5	01M060CHO035X	9.0	9.0	11.0	15.0	1.2	9.0	5.5	1950	11.1	10.6	3.7		
	2.5 - 4.5	01M060CHO045X	9.0	9.0	11.0	16.1	1.2	9.0	6.5	1950	11.1	10.6	3.9		
M8 x 1.25	3.5 - 5.5	01M060CHO055X	9.0	9.0	11.0	17.1	1.2	9.0	7.5	1950	11.1	10.6	4.0		
	0.0 - 1.8	01M080CHO018X	11.0	11.0	14.0	15.7	1.5	11.0	4.0	3200	27	25.8	5.7		
	1.0 - 3.0	01M080CHO030X	11.0	11.0	14.0	16.9	1.5	11.0	5.2	3200	27	25.8	5.9		
	2.2 - 4.2	01M080CHO042X	11.0	11.0	14.0	18.1	1.5	11.0	6.4	3200	27	25.8	6.2		
M10 x 1.50	3.0 - 5.0	01M080CHO050X	11.0	11.0	14.0	18.9	1.5	11.0	7.2	3200	27	25.8	6.3		
	4.5 - 6.5	01M080CHO065X	11.0	11.0	14.0	20.4	1.5	11.0	8.7	3200	27	25.8	6.7		
	0.0 - 2.5	01M100CHO025X	13.0	13.0	16.0	19.8	1.5	13.0	5.5	4350	53	51	8.9		
	1.0 - 4.0	01M100CHO040X	13.0	13.0	16.0	21.3	1.5	13.0	7.0	4350	53	51	9.4		
M12 x 1.75	2.5 - 5.5	01M100CHO055X	13.0	13.0	16.0	22.8	1.5	13.0	8.5	4350	53	51	9.8		
	4.5 - 7.0	01M100CHO070X	13.0	13.0	16.0	24.3	1.5	13.0	10.0	4350	53	51	10.2		
	0.0 - 4.2	01M120CHO042X	16.0	16.0	20.0	23.3	1.7	16.0	8.1	6500	92	88	15.2		
	2.5 - 6.0	01M120CHO060X	16.0	16.0	20.0	26.0	1.7	16.0	9.9	6500	92	88	16.6		
M14 x 2.00	4.0 - 7.6	01M120CHO076X	16.0	16.0	20.0	28.5	1.7	16.0	11.5	6500	92	88	18.1		
	7.0 - 9.2	01M120CHO092X	16.0	16.0	20.0	30.1	1.7	16.0	13.1	6500	92	88	18.7		
	0.0 - 3.0	01M140CHO030X	18.0	18.0	23.0	26.9	2.0	18.0	7.3	7800	148	142	23.7		
	2.0 - 5.0	01M140CHO050X	18.0	18.0	23.0	28.6	2.0	18.0	9.3	7800	148	142	24.9		
M16 x 2.00	4.0 - 7.0	01M140CHO070X	18.0	18.0	23.0	30.6	2.0	18.0	11.3	7800	148	142	26.2		
	7.0 - 9.0	01M140CHO090X	18.0	18.0	23.0	32.6	2.0	18.0	13.3	7800	148	142	27.5		
	0.0 - 3.2	01M160CHO032X	21.0	21.0	26.0	28.0	2.5	21.0	8.4	10500	232	222	33.1		
	1.0 - 5.7	01M160CHO057X	21.0	21.0	26.0	30.5	2.5	21.0	10.9	10500	232	222	35.0		
	3.5 - 8.2	01M160CHO082X	21.0	21.0	26.0	33.0	2.5	21.0	13.4	10500	232	222	36.9		
	7.0 - 11.0	01M160CHO110X	21.0	21.0	26.0	35.8	2.5	21.0	16.2	10500	232	222	39.0		

Écrou à sertir en aveugle correspondant à l'ancienne désignation H ... CO ... INOX MOLYBDENE
Blind Rivet Nuts corresponding to old designation H ... CO ... MOLYBDENUM STAINLESS STEEL