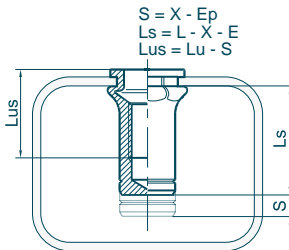
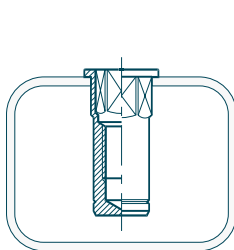
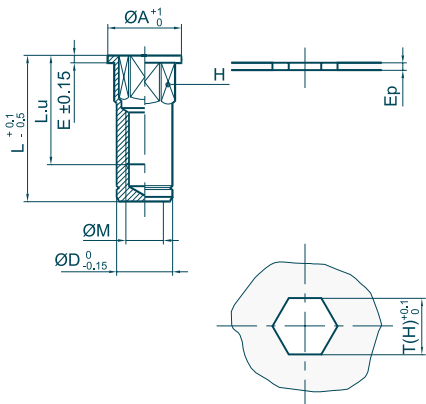




Écrous à sertir en aveugle Blind Rivet Nuts



Material : 316L Stainless Steel Matière : Inox 316L
 Head : Flange Tête : Cylindrique
 Body : Hexagonal Fût : Hexagonal
 Body end : Closed End Extrémité du fût : Borgne



Outillages de pose
Fastening tools
se référer à / refer to
TOOLIN'FIX

Ø M	Ep		Code	H	mm		Ø A	L	Lu	E	Ø D	X	indicative data			kg x1000
	min	max			T(H)	T(H)							daN	N.m	N.m	
M2.5 x 0.45	0.0 - 1.1	1.1	01M025CHB011X	4.0	4.0	4.0	6.0	10.1	6.0	0.6	4.0	2.4	325	1.0	1.0	0.6
	1.0 - 1.7	1.7	01M025CHB017X	4.0	4.0	6.0	10.8	7.0	0.6	4.0	3.0	325	1.0	1.0	0.6	
M3 x 0.50	0.0 - 1.1	1.1	01M030CHB011X	5.0	5.0	7.0	11.4	8.0	0.8	5.0	2.3	500	1.4	1.3	1.1	
	0.0 - 1.7	1.7	01M030CHB017X	5.0	5.0	7.0	12.0	8.5	0.8	5.0	2.9	500	1.4	1.3	1.2	
	1.0 - 2.3	2.3	01M030CHB023X	5.0	5.0	7.0	12.6	9.0	0.8	5.0	3.5	500	1.4	1.3	1.2	
M4 x 0.70	2.3 - 3.0	3.0	01M030CHB030X	5.0	5.0	7.0	13.1	9.4	0.8	5.0	4.1	500	1.4	1.3	1.2	
	0.0 - 1.3	1.3	01M040CHB013X	6.0	6.0	8.0	14.8	9.0	0.8	6.0	2.6	825	3.2	3.1	2.0	
	0.8 - 2.1	2.1	01M040CHB021X	6.0	6.0	8.0	15.5	9.4	0.8	6.0	3.3	825	3.2	3.1	2.0	
	1.8 - 3.0	3.0	01M040CHB030X	6.0	6.0	8.0	16.5	10.6	0.8	6.0	4.3	825	3.2	3.1	2.0	
	2.5 - 3.7	3.7	01M040CHB037X	6.0	6.0	8.0	17.2	11.3	0.8	6.0	5.0	825	3.2	3.1	2.1	
M5 x 0.80	0.0 - 1.5	1.5	01M050CHB015X	7.0	7.0	9.0	17.0	10.0	1.0	7.0	3.1	1150	6.4	6.1	2.9	
	0.5 - 2.5	2.5	01M050CHB025X	7.0	7.0	9.0	18.0	11.0	1.0	7.0	4.1	1150	6.4	6.1	3.0	
	1.5 - 3.5	3.5	01M050CHB035X	7.0	7.0	9.0	19.0	12.0	1.0	7.0	5.1	1150	6.4	6.1	3.0	
	3.0 - 4.5	4.5	01M050CHB045X	7.0	7.0	9.0	20.0	13.0	1.0	7.0	6.1	1150	6.4	6.1	3.1	
M6 x 1.00	0.0 - 1.5	1.5	01M060CHB015X	9.0	9.0	11.0	21.0	13.0	1.2	9.0	3.5	1950	11.1	10.6	6.3	
	0.5 - 2.5	2.5	01M060CHB025X	9.0	9.0	11.0	22.0	13.6	1.2	9.0	4.5	1950	11.1	10.6	6.5	
	1.5 - 3.5	3.5	01M060CHB035X	9.0	9.0	11.0	23.0	14.5	1.2	9.0	5.5	1950	11.1	10.6	6.6	
	2.5 - 4.5	4.5	01M060CHB045X	9.0	9.0	11.0	23.9	15.4	1.2	9.0	6.5	1950	11.1	10.6	6.7	
	3.5 - 5.5	5.5	01M060CHB055X	9.0	9.0	11.0	25.0	16.5	1.2	9.0	7.5	1950	11.1	10.6	6.9	
M8 x 1.25	0.0 - 1.8	1.8	01M080CHB018X	11.0	11.0	14.0	24.4	15.5	1.5	11.0	4.0	3200	27	25.8	10.1	
	1.0 - 3.0	3.0	01M080CHB030X	11.0	11.0	14.0	25.6	17.3	1.5	11.0	5.2	3200	27	25.8	10.4	
	2.2 - 4.2	4.2	01M080CHB042X	11.0	11.0	14.0	26.8	17.9	1.5	11.0	6.4	3200	27	25.8	10.6	
	3.0 - 5.0	5.0	01M080CHB050X	11.0	11.0	14.0	27.6	18.7	1.5	11.0	7.2	3200	27	25.8	10.9	
	4.5 - 6.5	6.5	01M080CHB065X	11.0	11.0	14.0	29.1	20.2	1.5	11.0	8.7	3200	27	25.8	11.1	
M10 x 1.50	0.0 - 2.5	2.5	01M100CHB025X	13.0	13.0	16.0	31.5	20.0	1.5	13.0	5.5	4350	53	51	16.8	
	1.0 - 4.0	4.0	01M100CHB040X	13.0	13.0	16.0	33.3	21.5	1.5	13.0	7.0	4350	53	51	17.3	
	2.5 - 5.5	5.5	01M100CHB055X	13.0	13.0	16.0	34.3	23.0	1.5	13.0	8.5	4350	53	51	17.5	
	4.5 - 7.0	7.0	01M100CHB070X	13.0	13.0	16.0	35.8	25.0	1.5	13.0	10.0	4350	53	51	17.9	
M12 x 1.75	0.0 - 4.2	4.2	01M120CHB042X	16.0	16.0	20.0	36.0	23.4	1.7	16.0	8.1	6500	92	88	29.3	
	2.5 - 6.0	6.0	01M120CHB060X	16.0	16.0	20.0	38.8	26.2	1.7	16.0	9.9	6500	92	88	30.0	
	4.0 - 7.6	7.6	01M120CHB076X	16.0	16.0	20.0	40.4	27.5	1.7	16.0	11.5	6500	92	88	30.7	
	7.0 - 9.2	9.2	01M120CHB092X	16.0	16.0	20.0	41.2	28.4	1.7	16.0	13.1	6500	92	88	31.3	
M14 x 2.00	0.0 - 3.0	3.0	01M140CHB030X	18.0	18.0	23.0	41.3	27.3	2.0	18.0	7.3	7800	148	142	42.5	
	2.0 - 5.0	5.0	01M140CHB050X	18.0	18.0	23.0	43.3	29.3	2.0	18.0	9.3	7800	148	142	43.7	
	4.0 - 7.0	7.0	01M140CHB070X	18.0	18.0	23.0	45.5	31.5	2.0	18.0	11.3	7800	148	142	45.0	
	7.0 - 9.0	9.0	01M140CHB090X	18.0	18.0	23.0	47.6	33.6	2.0	18.0	13.3	7800	148	142	46.3	
M16 x 2.00	0.0 - 3.2	3.2	01M160CHB032X	21.0	21.0	26.0	44.3	28.5	2.5	21.0	8.4	10500	232	222	61.3	
	1.0 - 5.7	5.7	01M160CHB057X	21.0	21.0	26.0	46.8	31.0	2.5	21.0	10.9	10500	232	222	63.2	
	3.5 - 8.3	8.3	01M160CHB082X	21.0	21.0	26.0	49.3	33.5	2.5	21.0	13.4	10500	232	222	65.1	
	7.0 - 11.0	11.0	01M160CHB110X	21.0	21.0	26.0	52.1	36.0	2.5	21.0	16.2	10500	232	222	67.2	

Écrou à sertir en aveugle correspondant à l'ancienne désignation H ... CB ... INOX MOLYBDENE
 Blind Rivet Nuts corresponding to old designation H ... CB ... MOLYBDENUM STAINLESS STEEL