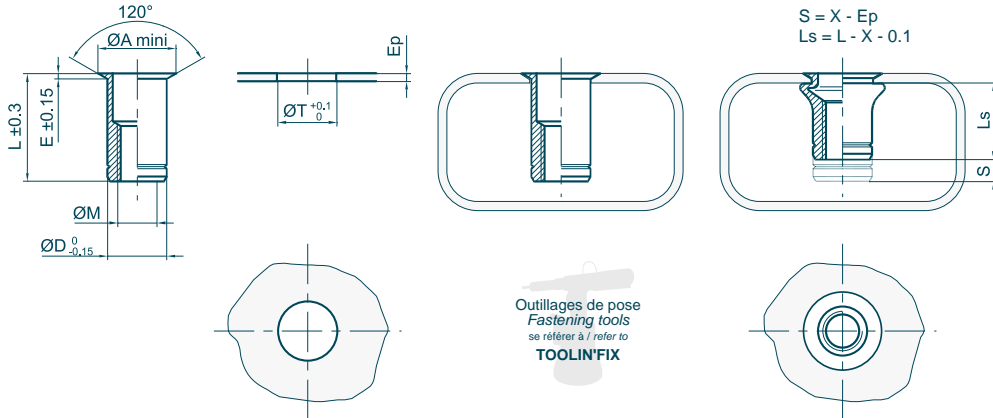




## Écrous à sertir en aveugle Blind Rivet Nuts



Matière : Inox 316L      Material : 316L Stainless Steel  
Tête : Affleurante      Head : Flush  
Fût : Cylindrique      Body : Round  
Extrémité du fût : Ouvert      Body end : Open Shape



Ø M	Ep		Code	mm ØT	Ø A	L	E	Ø D	X indicative data	daN	N,m	N,m	kg x1000
	min	max											
M2.5 x 0.45	0.0 - 1.1	1.1	01M025ARO011X	4.0	4.6	6.4	0.3	4.0	2.4	325	1.0	0.8	0.3
	1.0 - 1.7	1.7	01M025ARO017X	4.0	4.6	7.1	0.3	4.0	3.0	325	1.0	0.8	0.3
M3 x 0.50	0.0 - 1.1	1.1	01M030ARO011X	5.0	5.8	6.7	0.3	5.0	2.3	500	1.4	1.0	0.5
	1.0 - 2.3	2.3	01M030ARO023X	5.0	5.8	7.9	0.3	5.0	3.4	500	1.4	1.0	0.6
	2.3 - 3.2	3.2	01M030ARO032X	5.0	5.8	9.1	0.3	5.0	4.7	500	1.4	1.0	0.6
	3.2 - 4.1	4.1	01M030ARO041X	5.0	5.8	10.0	0.3	5.0	5.7	500	1.4	1.0	0.6
	4.1 - 5.0	5.0	01M030ARO050X	5.0	5.8	11.0	0.3	5.0	6.7	500	1.4	1.0	0.6
M4 x 0.70	0.0 - 1.3	1.3	01M040ARO013X	6.0	6.8	8.4	0.3	6.0	2.6	825	3.2	2.1	0.9
	1.0 - 2.3	2.3	01M040ARO023X	6.0	6.8	9.7	0.3	6.0	3.6	825	3.2	2.1	0.9
	1.8 - 3.0	3.0	01M040ARO030X	6.0	6.8	9.9	0.3	6.0	4.3	825	3.2	2.1	0.9
	3.0 - 4.2	4.2	01M040ARO042X	6.0	6.8	12.1	0.3	6.0	5.5	825	3.2	2.1	1.0
	4.2 - 5.5	5.5	01M040ARO055X	6.0	6.8	13.6	0.3	6.0	6.8	825	3.2	2.1	1.1
M5 x 0.80	0.0 - 1.5	1.5	01M050ARO015X	7.0	8.0	9.6	0.4	7.0	3.1	1150	6.4	3.2	1.3
	0.0 - 2.5	2.5	01M050ARO025X	7.0	8.0	10.6	0.4	7.0	4.1	1150	6.4	3.2	1.3
	1.0 - 3.5	3.5	01M050ARO035X	7.0	8.0	11.6	0.4	7.0	5.1	1150	6.4	3.2	1.4
	3.0 - 4.5	4.5	01M050ARO045X	7.0	8.0	12.6	0.4	7.0	6.1	1150	6.4	3.2	1.5
	4.5 - 5.5	5.5	01M050ARO055X	7.0	8.0	13.6	0.4	7.0	7.1	1150	6.4	3.2	1.5
M6 x 1.00	0.0 - 1.5	1.5	01M060ARO015X	9.0	10.0	11.9	0.4	9.0	3.5	1950	11.1	6.0	2.9
	1.0 - 3.5	3.5	01M060ARO035X	9.0	10.0	13.9	0.4	9.0	5.5	1950	11.1	6.0	3.2
	2.0 - 4.5	4.5	01M060ARO045X	9.0	10.0	14.9	0.4	9.0	6.5	1950	11.1	6.0	3.4
	3.0 - 5.5	5.5	01M060ARO055X	9.0	10.0	15.9	0.4	9.0	7.5	1950	11.1	6.0	3.5
	4.5 - 6.5	6.5	01M060ARO065X	9.0	10.0	16.8	0.4	9.0	8.5	1950	11.1	6.0	3.6
M8 x 1.25	0.0 - 1.8	1.8	01M080ARO018X	11.0	12.0	14.4	0.4	11.0	4.0	3200	27	10.5	4.7
	0.5 - 3.0	3.0	01M080ARO030X	11.0	12.0	15.6	0.4	11.0	5.2	3200	27	10.5	5.0
	1.8 - 4.2	4.2	01M080ARO042X	11.0	12.0	16.8	0.4	11.0	6.4	3200	27	10.5	5.2
	2.5 - 5.0	5.0	01M080ARO050X	11.0	12.0	17.4	0.4	11.0	7.2	3200	27	10.5	5.4
	4.5 - 6.5	6.5	01M080ARO065X	11.0	12.0	19.1	0.4	11.0	8.7	3200	27	10.5	5.7
M10 x 1.50	0.0 - 3.2	3.2	01M100ARO032X	13.0	14.5	19.1	0.6	13.0	6.2	4350	53	16.4	7.9
	2.5 - 5.5	5.5	01M100ARO055X	13.0	14.5	21.4	0.6	13.0	8.5	4350	53	16.4	8.6
	3.5 - 6.5	6.5	01M100ARO065X	13.0	14.5	22.4	0.6	13.0	9.5	4350	53	16.4	8.8
	5.5 - 7.5	7.5	01M100ARO075X	13.0	14.5	23.4	0.6	13.0	10.5	4350	53	16.4	9.0
	7.5 - 9.0	9.0	01M100ARO090X	13.0	14.5	25.4	0.6	13.0	12.5	4350	53	16.4	9.5
M12 x 1.75	0.0 - 4.2	4.2	01M120ARO042X	16.0	17.5	23.0	0.6	16.0	8.1	6500	92	23.5	14.3
	2.5 - 6.0	6.0	01M120ARO060X	16.0	17.5	24.4	0.6	16.0	9.9	6500	92	23.5	15.1
	4.0 - 7.6	7.6	01M120ARO076X	16.0	17.5	26.0	0.6	16.0	11.5	6500	92	23.5	15.6
	7.0 - 9.2	9.2	01M120ARO092X	16.0	17.5	27.6	0.6	16.0	13.1	6500	92	23.5	16.3
	9.2 - 11.0	11.0	01M120ARO110X	16.0	17.5	29.2	0.6	16.0	14.7	6500	92	23.5	17.0
M14 x 2.00	0.0 - 3.0	3.0	01M140ARO030X	18.0	19.5	24.6	0.6	18.0	7.3	7800	148	31.5	20.1
	2.0 - 5.0	5.0	01M140ARO050X	18.0	19.5	26.6	0.6	18.0	9.3	7800	148	31.5	21.3
	4.0 - 7.0	7.0	01M140ARO070X	18.0	19.5	28.6	0.6	18.0	11.3	7800	148	31.5	22.5
	7.0 - 9.0	9.0	01M140ARO090X	18.0	19.5	30.6	0.6	18.0	13.3	7800	148	31.5	23.8
	9.0 - 11.0	11.0	01M140ARO110X	18.0	19.5	32.6	0.6	18.0	15.3	7800	148	31.5	25.1
M16 x 2.00	0.0 - 3.2	3.2	01M160ARO032X	21.0	22.5	25.5	0.6	21.0	8.4	10500	232	41	27.5
	1.0 - 5.7	5.7	01M160ARO057X	21.0	22.5	28.0	0.6	21.0	10.9	10500	232	41	29.4
	3.5 - 8.2	8.2	01M160ARO082X	21.0	22.5	30.5	0.6	21.0	13.4	10500	232	41	31.3
	8.2 - 10.0	10.0	01M160ARO100X	21.0	22.5	32.5	0.6	21.0	15.4	10500	232	41	33.2
	10.0 - 11.0	11.0	01M160ARO110X	21.0	22.5	33.3	0.6	21.0	16.2	10500	232	41	33.2

Écrou à sertir en aveugle correspondant à l'ancienne désignation M ... fO ... INOX MOLYBDENE  
Blind Rivet Nuts corresponding to old designation M ... fO ... MOLYBDENUM STAINLESS STEEL

