



Écrous à sertir en aveugle Blind Rivet Nuts

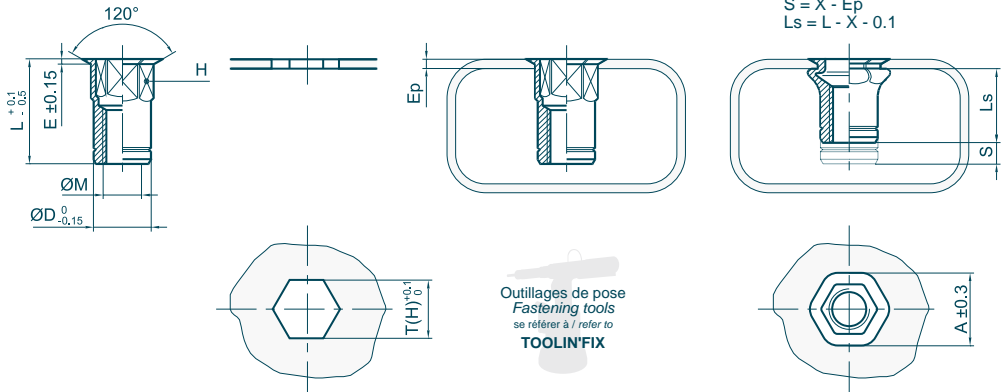


Matière : Inox 316L *Material : 316L Stainless Steel*

Tête : Affleurante *Head : Flush*

Fût : Hexagonal *Body : Hexagonal*

Extrémité du fût : Ouvert *Body end : Open Shape*



Ø M	Ep		Code	H	mm		A	L	E	Ø D	X	indicative data	daN	N.m	N.m	kg x1000
	min	max			T(H)	A										
M2.5 x 0.45	0.0 - 1.1	0.1M025AHO011X	4.0	4.0	4.6	6.4	0.3	4.0	2.4	325	1.0	1.0	0.3			
	1.0 - 1.7	01M025AHO017X	4.0	4.0	4.6	7.1	0.3	4.0	3.0	325	1.0	1.0	0.3			
M3 x 0.50	0.0 - 1.1	01M030AHO011X	5.0	5.0	5.8	6.7	0.3	5.0	2.3	500	1.4	1.3	0.5			
	1.0 - 2.3	01M030AHO023X	5.0	5.0	5.8	7.9	0.3	5.0	3.4	500	1.4	1.3	0.6			
	2.3 - 3.2	01M030AHO032X	5.0	5.0	5.8	9.1	0.3	5.0	4.7	500	1.4	1.3	0.6			
	3.2 - 4.1	01M030AHO041X	5.0	5.0	5.8	10.0	0.3	5.0	5.7	500	1.4	1.3	0.6			
M4 x 0.70	0.0 - 1.3	01M040AHO013X	6.0	6.0	6.8	8.4	0.3	6.0	2.6	825	3.2	3.1	0.9			
	1.0 - 2.3	01M040AHO023X	6.0	6.0	6.8	9.7	0.3	6.0	3.6	825	3.2	3.1	0.9			
	1.8 - 3.0	01M040AHO030X	6.0	6.0	6.8	9.9	0.3	6.0	4.3	825	3.2	3.1	0.9			
	3.0 - 4.2	01M040AHO042X	6.0	6.0	6.8	12.1	0.3	6.0	5.5	825	3.2	3.1	1.0			
	4.2 - 5.5	01M040AHO055X	6.0	6.0	6.8	13.6	0.3	6.0	6.8	825	3.2	3.1	1.1			
	0.0 - 1.5	01M050AHO015X	7.0	7.0	8.0	9.6	0.4	7.0	3.1	1150	6.4	6.1	1.3			
M5 x 0.80	0.5 - 2.5	01M050AHO025X	7.0	7.0	8.0	10.6	0.4	7.0	4.1	1150	6.4	6.1	1.3			
	1.5 - 3.5	01M050AHO035X	7.0	7.0	8.0	11.6	0.4	7.0	5.1	1150	6.4	6.1	1.4			
	3.0 - 4.5	01M050AHO045X	7.0	7.0	8.0	12.6	0.4	7.0	6.1	1150	6.4	6.1	1.5			
	0.0 - 1.5	01M060AHO015X	9.0	9.0	10.0	11.9	0.4	9.0	3.5	1950	11.1	10.6	2.9			
	1.5 - 3.5	01M060AHO035X	9.0	9.0	10.0	13.9	0.4	9.0	5.5	1950	11.1	10.6	3.2			
M6 x 1.00	2.5 - 4.5	01M060AHO045X	9.0	9.0	10.0	14.9	0.4	9.0	6.5	1950	11.1	10.6	3.4			
	3.5 - 5.5	01M060AHO055X	9.0	9.0	10.0	15.9	0.4	9.0	7.5	1950	11.1	10.6	3.5			
	5.0 - 6.5	01M060AHO065X	9.0	9.0	10.0	16.8	0.4	9.0	8.5	1950	11.1	10.6	3.6			
	0.0 - 1.8	01M080AHO018X	11.0	11.0	12.0	14.4	0.4	11.0	4.0	3200	27	25.8	4.7			
	1.0 - 3.0	01M080AHO030X	11.0	11.0	12.0	15.6	0.4	11.0	5.2	3200	27	25.8	5.0			
M8 x 1.25	2.2 - 4.2	01M080AHO042X	11.0	11.0	12.0	16.8	0.4	11.0	6.4	3200	27	25.8	5.2			
	3.0 - 5.0	01M080AHO050X	11.0	11.0	12.0	17.4	0.4	11.0	7.2	3200	27	25.8	5.4			
	4.5 - 6.5	01M080AHO065X	11.0	11.0	12.0	19.1	0.4	11.0	8.7	3200	27	25.8	5.7			
	0.0 - 3.2	01M100AHO032X	13.0	13.0	14.5	19.1	0.6	13.0	6.2	4350	53	51	7.9			
	2.5 - 5.5	01M100AHO055X	13.0	13.0	14.5	21.4	0.6	13.0	8.5	4350	53	51	8.6			
M10 x 1.50	3.5 - 6.5	01M100AHO065X	13.0	13.0	14.5	22.4	0.6	13.0	9.5	4350	53	51	8.8			
	5.5 - 7.5	01M100AHO075X	13.0	13.0	14.5	23.4	0.6	13.0	10.5	4350	53	51	9.0			
	0.0 - 4.2	01M120AHO042X	16.0	16.0	17.5	23.0	0.6	16.0	8.1	6500	92	88	14.3			
	2.5 - 6.0	01M120AHO060X	16.0	16.0	17.5	24.4	0.6	16.0	9.9	6500	92	88	15.1			
	4.0 - 7.6	01M120AHO076X	16.0	16.0	17.5	26.0	0.6	16.0	11.5	6500	92	88	15.6			
M12 x 1.75	7.0 - 9.2	01M120AHO092X	16.0	16.0	17.5	27.6	0.6	16.0	13.1	6500	92	88	16.3			
	0.0 - 3.0	01M140AHO030X	18.0	18.0	19.5	24.6	0.6	18.0	7.3	7800	148	142	20.1			
	2.0 - 5.0	01M140AHO050X	18.0	18.0	19.5	26.6	0.6	18.0	9.3	7800	148	142	21.3			
	4.0 - 7.0	01M140AHO070X	18.0	18.0	19.5	28.6	0.6	18.0	11.3	7800	148	142	22.5			
	7.0 - 9.0	01M140AHO090X	18.0	18.0	19.5	30.6	0.6	18.0	13.3	7800	148	142	23.8			
M16 x 2.00	0.0 - 3.2	01M160AHO032X	21.0	21.0	22.5	25.5	0.6	21.0	8.4	10500	232	222	27.5			
	1.0 - 5.7	01M160AHO057X	21.0	21.0	22.5	28.0	0.6	21.0	10.9	10500	232	222	29.4			
	3.5 - 8.2	01M160AHO082X	21.0	21.0	22.5	30.5	0.6	21.0	13.4	10500	232	222	31.3			
	7.0 - 11.0	01M160AHO110X	21.0	21.0	22.5	33.3	0.6	21.0	16.2	10500	232	222	33.2			

Écrou à sertir en aveugle correspondant à l'ancienne désignation H ... FO ... INOX MOLYBDENE
Blind Rivet Nuts corresponding to old designation H ... FO ... MOLYBDENUM STAINLESS STEEL