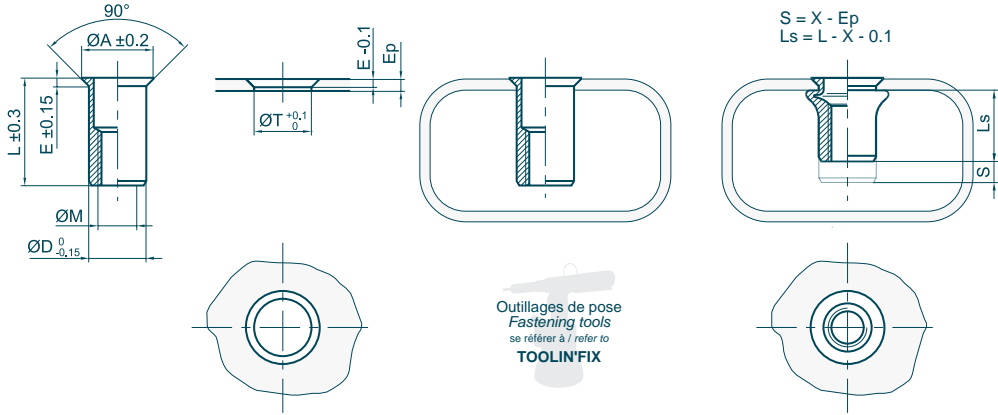




Écrous à sertir en aveugle Blind Rivet Nuts



Matière : Inox / Material : Stainless Steel
 Tête : Fraisée / Head : Countersunk
 Fût : Cylindrique / Body : Round
 Extrémité du fût : Ouvert / Body end : Open Shape



Outillages de pose
Fastening tools
se référer à / refer to
TOOLIN'FIX

Ø M	Ep		Code	mm ØT	Ø A	L	E	Ø D	X	daN	N,m	N,m	kg x1000
	min	max											
M2.5 x 0.45	1.0 - 1.7		011025FRO017X	4.0	5.0	7.0	0.4	4.0	3.0	325	1.0	0.8	0.3
M3 x 0.50	1.1 - 1.7		011030FRO017X	5.0	6.8	7.3	1.0	5.0	2.9	500	1.4	1.0	0.6
	1.1 - 2.3		011030FRO023X	5.0	6.8	7.9	1.0	5.0	3.5	500	1.4	1.0	0.6
	2.3 - 3.0		011030FRO030X	5.0	6.8	8.5	1.0	5.0	4.1	500	1.4	1.0	0.6
	1.1 - 2.1		011040FRO021X	6.0	7.8	9.2	1.0	6.0	3.4	825	3.2	2.1	1.0
M4 x 0.70	1.8 - 3.0		011040FRO030X	6.0	7.8	10.1	1.0	6.0	4.3	825	3.2	2.1	1.0
	2.5 - 3.7		011040FRO037X	6.0	7.8	10.8	1.0	6.0	5.0	825	3.2	2.1	1.1
	1.1 - 2.5		011050FRO025X	7.0	8.8	10.6	1.0	7.0	4.1	1150	6.4	3.2	1.4
	1.1 - 3.5		011050FRO035X	7.0	8.8	11.6	1.0	7.0	5.1	1150	6.4	3.2	1.5
M5 x 0.80	3.0 - 4.5		011050FRO045X	7.0	8.8	12.6	1.0	7.0	6.1	1150	6.4	3.2	1.6
	1.1 - 2.5		011060FRO025X	9.0	10.8	12.9	1.0	9.0	4.5	1950	11.1	6.0	3.2
	1.1 - 3.5		011060FRO035X	9.0	10.8	13.9	1.0	9.0	5.5	1950	11.1	6.0	3.3
	2.0 - 4.5		011060FRO045X	9.0	10.8	14.9	1.0	9.0	6.5	1950	11.1	6.0	3.5
M6 x 1.00	3.0 - 5.5		011060FRO055X	9.0	10.8	15.9	1.0	9.0	7.5	1950	11.1	6.0	3.6
	1.8 - 3.0		011080FRO030X	11.0	13.8	15.6	1.5	11.0	5.2	3200	27	10.5	5.3
	1.8 - 4.2		011080FRO042X	11.0	13.8	16.8	1.5	11.0	6.4	3200	27	10.5	5.5
	2.5 - 5.0		011080FRO050X	11.0	13.8	17.6	1.5	11.0	7.2	3200	27	10.5	5.8
M8 x 1.25	4.5 - 6.5		011080FRO065X	11.0	13.8	18.8	1.5	11.0	8.7	3200	27	10.5	5.9
	1.8 - 4.0		011100FRO040X	13.0	15.8	19.9	1.5	13.0	7.0	4350	53	16.4	8.5
	2.5 - 5.5		011100FRO055X	13.0	15.8	21.4	1.5	13.0	8.5	4350	53	16.4	8.9
	4.5 - 7.0		011100FRO070X	13.0	15.8	22.9	1.5	13.0	10.0	4350	53	16.4	9.3
M10 x 1.50	2.5 - 4.2		011120FRO042X	16.0	19.8	23.5	2.0	16.0	8.1	6500	92	23.5	15.3
	2.5 - 6.0		011120FRO060X	16.0	19.8	25.3	2.0	16.0	9.9	6500	92	23.5	16.0
	4.0 - 7.6		011120FRO076X	16.0	19.8	26.8	2.0	16.0	11.5	6500	92	23.5	16.7
	7.0 - 9.2		011120FRO092X	16.0	19.8	28.4	2.0	16.0	13.1	6500	92	23.5	17.7
M12 x 1.75	3.0 - 5.0		011140FRO050X	18.0	22.8	26.7	2.5	18.0	9.3	7800	148	31.5	22.6
	4.0 - 7.0		011140FRO070X	18.0	22.8	28.7	2.5	18.0	11.3	7800	148	31.5	23.9
	7.0 - 9.0		011140FRO090X	18.0	22.8	30.7	2.5	18.0	13.3	7800	148	31.5	25.2
M14 x 2.00	3.0 - 5.7		011160FRO057X	21.0	25.8	28.0	2.5	21.0	10.9	10500	232	41	31.0
	3.5 - 8.2		011160FRO082X	21.0	25.8	30.5	2.5	21.0	13.4	10500	232	41	32.9
	7.0 - 11.0		011160FRO110X	21.0	25.8	33.3	2.5	21.0	16.2	10500	232	41	35.2

Écrou à sertir en aveugle correspondant à l'ancienne désignation M ... FO ... INOX
 Blind Rivet Nuts corresponding to old designation M ... FO ... STAINLESS STEEL