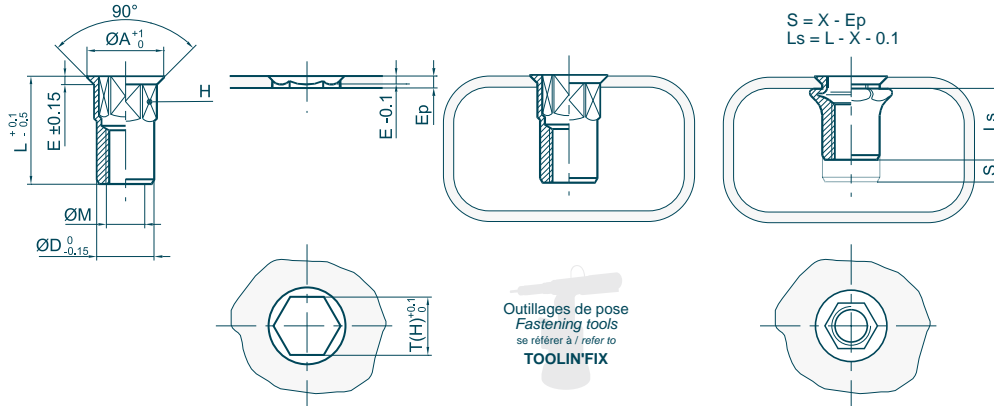




Écrous à sertir en aveugle Blind Rivet Nuts



Matière : Inox / Material : Stainless Steel
 Tête : Fraisée / Head : Countersunk
 Fût : Hexagonal / Body : Hexagonal
 Extrémité du fût : Ouvert / Body end : Open Shape



Ø M	Ep min - max	Code	H	mm T(H)	Ø A	L	E	Ø D	X indicative data	daN			kg x1000
										daN	N.m	N.m	
M2.5 x 0.45	1.0 - 1.7	011025FHO017X	4.0	4.0	5.0	7.0	0.6	4.0	3.0	325	1.0	1.0	0.3
M3 x 0.50	1.1 - 1.7	011030FHO017X	5.0	5.0	6.8	7.3	1.0	5.0	2.9	500	1.4	1.3	0.6
	1.1 - 2.3	011030FHO023X	5.0	5.0	6.8	7.9	1.0	5.0	3.5	500	1.4	1.3	0.6
	2.3 - 3.0	011030FHO030X	5.0	5.0	6.8	8.5	1.0	5.0	4.1	500	1.4	1.3	0.6
M4 x 0.70	1.1 - 2.1	011040FHO021X	6.0	6.0	7.8	9.2	1.0	6.0	3.4	825	3.2	3.1	1.0
	1.8 - 3.0	011040FHO030X	6.0	6.0	7.8	10.1	1.0	6.0	4.3	825	3.2	3.1	1.0
	2.5 - 3.7	011040FHO037X	6.0	6.0	7.8	10.8	1.0	6.0	5.0	825	3.2	3.1	1.1
M5 x 0.80	1.1 - 2.5	011050FHO025X	7.0	7.0	8.8	10.6	1.0	7.0	4.1	1150	6.4	6.1	1.4
	1.5 - 3.5	011050FHO035X	7.0	7.0	8.8	11.6	1.0	7.0	5.1	1150	6.4	6.1	1.5
	3.0 - 4.5	011050FHO045X	7.0	7.0	8.8	12.6	1.0	7.0	6.1	1150	6.4	6.1	1.6
M6 x 1.00	1.1 - 2.5	011060FHO025X	9.0	9.0	10.8	12.9	1.0	9.0	4.5	1950	11.1	10.6	3.2
	1.5 - 3.5	011060FHO035X	9.0	9.0	10.8	13.9	1.0	9.0	5.5	1950	11.1	10.6	3.3
	2.5 - 4.5	011060FHO045X	9.0	9.0	10.8	14.9	1.0	9.0	6.5	1950	11.1	10.6	3.5
M8 x 1.25	3.5 - 5.5	011060FHO055X	9.0	9.0	10.8	15.9	1.0	9.0	7.5	1950	11.1	10.6	3.6
	1.8 - 3.0	011080FHO030X	11.0	11.0	13.8	15.6	1.5	11.0	5.2	3200	27	25.8	5.3
	2.2 - 4.2	011080FHO042X	11.0	11.0	13.8	16.8	1.5	11.0	6.4	3200	27	25.8	5.5
M10 x 1.50	3.0 - 5.0	011080FHO050X	11.0	11.0	13.8	17.6	1.5	11.0	7.2	3200	27	25.8	5.8
	4.5 - 6.5	011080FHO065X	11.0	11.0	13.8	18.8	1.5	11.0	8.7	3200	27	25.8	5.9
	1.8 - 4.0	011100FHO040X	13.0	13.0	15.8	19.9	1.5	13.0	7.0	4350	53	51	8.5
M12 x 1.75	2.5 - 5.5	011100FHO055X	13.0	13.0	15.8	21.4	1.5	13.0	8.5	4350	53	51	8.9
	4.5 - 7.0	011100FHO070X	13.0	13.0	15.8	22.9	1.5	13.0	10.0	4350	53	51	9.3
	2.5 - 4.2	011120FHO042X	16.0	16.0	19.8	23.5	2.0	16.0	8.1	6500	92	88	15.3
M14 x 2.00	2.5 - 6.0	011120FHO060X	16.0	16.0	19.8	25.3	2.0	16.0	9.9	6500	92	88	16.0
	4.0 - 7.6	011120FHO076X	16.0	16.0	19.8	26.8	2.0	16.0	11.5	6500	92	88	16.7
	7.0 - 9.2	011120FHO092X	16.0	16.0	19.8	28.4	2.0	16.0	13.1	6500	92	88	17.7
M16 x 2.00	3.0 - 5.0	011140FHO050X	18.0	18.0	22.8	26.7	2.5	18.0	9.3	7800	148	142	22.6
	4.0 - 7.0	011140FHO070X	18.0	18.0	22.8	28.7	2.5	18.0	11.3	7800	148	142	23.9
	7.0 - 9.0	011140FHO090X	18.0	18.0	22.8	30.7	2.5	18.0	13.3	7800	148	142	25.2
M16 x 2.00	3.0 - 5.7	011160FHO057X	21.0	21.0	25.8	28.0	2.5	21.0	10.9	10500	232	222	31.0
	3.5 - 8.2	011160FHO082X	21.0	21.0	25.8	30.5	2.5	21.0	13.4	10500	232	222	32.9
	7.0 - 11.0	011160FHO110X	21.0	21.0	25.8	33.3	2.5	21.0	16.2	10500	232	222	35.2

Écrou à sertir en aveugle correspondant à l'ancienne désignation H ... FO ... INOX
 Blind Rivet Nuts corresponding to old designation H ... FO ... STAINLESS STEEL