

Écrous à sertir en aveugle Blind Rivet Nuts



Material : Stainless Steel

Matière : Inox

Head : Countersunk

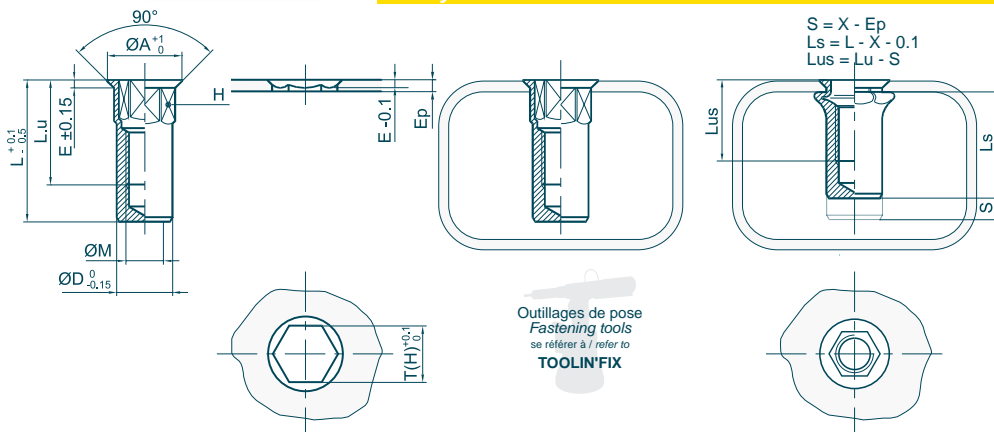
Tête : Fraisée

Body : Hexagonal

Fût : Hexagonal

Body end : Closed End

Extrémité du fût : Borgne



Ø M	Ep		Code	H	mm		Ø A	L	Lu	E	Ø D	X	Fastening data			kg x1000
	min	max			T(H)	daN							N.m	N.m		
M2.5 x 0.45	1.0	1.7	011025FHB017X	4.0	4.0	4.0	5.0	10.3	6.5	0.6	4.0	3.0	325	1.0	1.0	0.6
M3 x 0.50	1.1	1.7	011030FHB017X	5.0	5.0	6.8	11.3	7.3	1.0	5.0	2.9	500	1.4	1.3	1.1	
	1.1	2.3	011030FHB023X	5.0	5.0	6.8	11.9	7.9	1.0	5.0	3.5	500	1.4	1.3	1.1	
	2.3	3.0	011030FHB030X	5.0	5.0	6.8	12.5	8.5	1.0	5.0	4.1	500	1.4	1.3	1.1	
	1.1	2.1	011040FHB021X	6.0	6.0	7.8	15.2	8.8	1.0	6.0	3.4	825	3.2	3.1	1.9	
M4 x 0.70	1.8	3.0	011040FHB030X	6.0	6.0	7.8	16.1	9.7	1.0	6.0	4.3	825	3.2	3.1	2.0	
	2.5	3.7	011040FHB037X	6.0	6.0	7.8	16.8	10.4	1.0	6.0	5.0	825	3.2	3.1	2.0	
	1.1	2.5	011050FHB025X	7.0	7.0	8.8	17.5	10.5	1.0	7.0	4.1	1150	6.4	6.1	2.9	
M5 x 0.80	1.5	3.5	011050FHB035X	7.0	7.0	8.8	18.5	11.5	1.0	7.0	5.1	1150	6.4	6.1	2.9	
	3.0	4.5	011050FHB045X	7.0	7.0	8.8	19.5	12.5	1.0	7.0	6.1	1150	6.4	6.1	3.0	
	1.1	2.5	011060FHB025X	9.0	9.0	10.8	20.9	12.5	1.0	9.0	4.5	1950	11.1	10.6	6.1	
M6 x 1.00	1.5	3.5	011060FHB035X	9.0	9.0	10.8	21.9	13.5	1.0	9.0	5.5	1950	11.1	10.6	6.2	
	2.5	4.5	011060FHB045X	9.0	9.0	10.8	22.9	14.5	1.0	9.0	6.5	1950	11.1	10.6	6.4	
	3.5	5.5	011060FHB055X	9.0	9.0	10.8	23.9	15.5	1.0	9.0	7.5	1950	11.1	10.6	6.5	
	1.8	3.0	011080FHB030X	11.0	11.0	13.8	24.8	15.3	1.5	11.0	5.2	3200	27	25.8	10.0	
M8 x 1.25	2.2	4.2	011080FHB042X	11.0	11.0	13.8	26.0	16.5	1.5	11.0	6.4	3200	27	25.8	10.2	
	3.0	5.0	011080FHB050X	11.0	11.0	13.8	26.8	17.3	1.5	11.0	7.2	3200	27	25.8	10.5	
	4.5	6.5	011080FHB065X	11.0	11.0	13.8	28.2	18.7	1.5	11.0	8.7	3200	27	25.8	10.7	
	1.8	4.0	011100FHB040X	13.0	13.0	15.8	31.9	19.5	1.5	13.0	7.0	4350	53	51	16.5	
M10 x 1.50	2.5	5.5	011100FHB055X	13.0	13.0	15.8	33.4	21.0	1.5	13.0	8.5	4350	53	51	17.0	
	4.5	7.0	011100FHB070X	13.0	13.0	15.8	34.9	22.5	1.5	13.0	10.0	4350	53	51	17.4	
	2.5	4.2	011120FHB042X	16.0	16.0	19.8	35.5	23.2	2.0	16.0	8.1	6500	92	88	27.9	
M12 x 1.75	2.5	6.0	011120FHB060X	16.0	16.0	19.8	36.2	23.9	2.0	16.0	9.9	6500	92	88	28.6	
	4.0	7.6	011120FHB076X	16.0	16.0	19.8	39.0	26.7	2.0	16.0	11.5	6500	92	88	29.3	
	7.0	9.2	011120FHB092X	16.0	16.0	19.8	39.6	27.4	2.0	16.0	13.1	6500	92	88	29.9	
	3.0	5.0	011140FHB050X	18.0	18.0	22.8	41.4	27.4	2.5	18.0	9.3	7800	148	142	41.5	
M14 x 2.00	4.0	7.0	011140FHB070X	18.0	18.0	22.8	43.6	29.6	2.5	18.0	11.3	7800	148	142	42.8	
	7.0	9.0	011140FHB090X	18.0	18.0	22.8	45.7	31.7	2.5	18.0	13.3	7800	148	142	44.1	
	3.0	5.7	011160FHB057X	21.0	21.0	25.8	44.4	28.5	2.5	21.0	10.9	10500	232	222	59.4	
	3.5	8.2	011160FHB082X	21.0	21.0	25.8	46.9	31.0	2.5	21.0	13.4	10500	232	222	61.3	
M16 x 2.00	7.0	11.0	011160FHB110X	21.0	21.0	25.8	49.7	33.5	2.5	21.0	16.2	10500	232	222	63.6	

Écrou à sertir en aveugle correspondant à l'ancienne désignation H ... FB ... INOX
Blind Rivet Nuts corresponding to old designation H ... FB ... STAINLESS STEEL