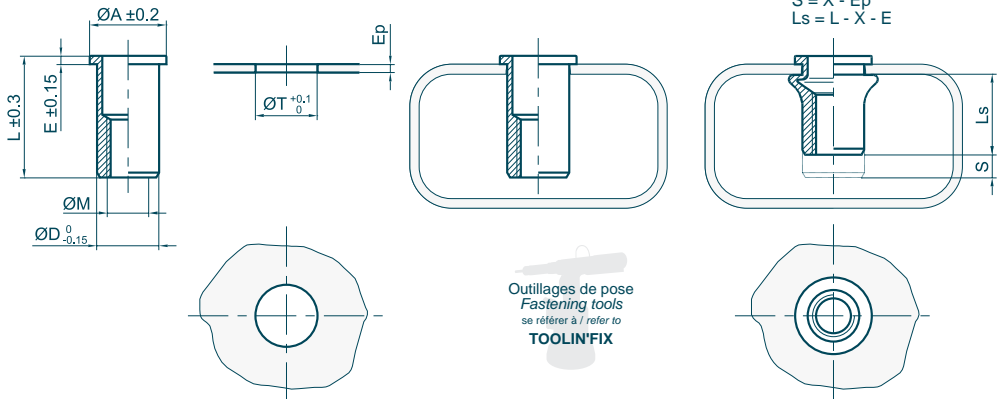


Écrous à sertir en aveugle Blind Rivet Nuts



Matière : Inox / Material : Stainless Steel
 Tête : Cylindrique / Head : Flange
 Fût : Cylindrique / Body : Round
 Extrémité du fût : Ouvert / Body end : Open Shape



Ø M	Ep		Code	mm ØT	Ø A	L	E	Ø D	X indicative data				kg x1000
	min	max											
M2.5 x 0.45	0.0 - 1.1	1.1	011025CRO011X	4.0	6.0	6.9	0.6	4.0	2.4	325	1.0	0.8	0.4
	1.0 - 1.7	1.7	011025CRO017X	4.0	6.0	7.5	0.6	4.0	3.0	325	1.0	0.8	0.4
M3 x 0.50	0.0 - 1.1	1.1	011030CRO011X	5.0	7.0	7.4	0.8	5.0	2.3	500	1.4	1.0	0.6
	0.0 - 1.7	1.7	011030CRO017X	5.0	7.0	8.0	0.8	5.0	2.9	500	1.4	1.0	0.7
	1.0 - 2.3	2.3	011030CRO023X	5.0	7.0	8.6	0.8	5.0	3.5	500	1.4	1.0	0.7
	2.3 - 3.0	3.0	011030CRO030X	5.0	7.0	9.2	0.8	5.0	4.1	500	1.4	1.0	0.7
	0.0 - 1.3	1.3	011040CRO013X	6.0	8.0	9.1	0.8	6.0	2.6	825	3.2	2.1	1.0
M4 x 0.70	0.8 - 2.1	2.1	011040CRO021X	6.0	8.0	9.8	0.8	6.0	3.3	825	3.2	2.1	1.1
	1.8 - 3.0	3.0	011040CRO030X	6.0	8.0	10.7	0.8	6.0	4.3	825	3.2	2.1	1.1
	2.5 - 3.7	3.7	011040CRO037X	6.0	8.0	11.5	0.8	6.0	5.0	825	3.2	2.1	1.2
	0.0 - 1.5	1.5	011050CRO015X	7.0	9.0	10.5	1.0	7.0	3.1	1150	6.4	3.2	1.5
	0.0 - 2.5	2.5	011050CRO025X	7.0	9.0	11.5	1.0	7.0	4.1	1150	6.4	3.2	1.6
M5 x 0.80	1.0 - 3.5	3.5	011050CRO035X	7.0	9.0	12.2	1.0	7.0	5.1	1150	6.4	3.2	1.7
	3.0 - 4.5	4.5	011050CRO045X	7.0	9.0	13.5	1.0	7.0	6.1	1150	6.4	3.2	1.8
	0.0 - 1.5	1.5	011060CRO015X	9.0	11.0	13.0	1.2	9.0	3.5	1950	11.1	6.0	3.4
	0.0 - 2.5	2.5	011060CRO025X	9.0	11.0	14.0	1.2	9.0	4.5	1950	11.1	6.0	3.5
	1.0 - 3.5	3.5	011060CRO035X	9.0	11.0	15.0	1.2	9.0	5.5	1950	11.1	6.0	3.7
M6 x 1.00	2.0 - 4.5	4.5	011060CRO045X	9.0	11.0	16.1	1.2	9.0	6.5	1950	11.1	6.0	3.9
	3.0 - 5.5	5.5	011060CRO055X	9.0	11.0	17.1	1.2	9.0	7.5	1950	11.1	6.0	4.0
	0.0 - 1.8	1.8	011080CRO018X	11.0	14.0	15.7	1.5	11.0	4.0	3200	27	10.5	5.7
	0.5 - 3.0	3.0	011080CRO030X	11.0	14.0	16.9	1.5	11.0	5.2	3200	27	10.5	5.9
	1.8 - 4.2	4.2	011080CRO042X	11.0	14.0	18.1	1.5	11.0	6.4	3200	27	10.5	6.2
M8 x 1.25	2.5 - 5.0	5.0	011080CRO050X	11.0	14.0	18.9	1.5	11.0	7.2	3200	27	10.5	6.3
	4.5 - 6.5	6.5	011080CRO065X	11.0	14.0	20.4	1.5	11.0	8.7	3200	27	10.5	6.7
	0.0 - 2.5	2.5	011100CRO025X	13.0	16.0	19.8	1.5	13.0	5.5	4350	53	16.4	8.9
	1.0 - 4.0	4.0	011100CRO040X	13.0	16.0	21.3	1.5	13.0	7.0	4350	53	16.4	9.4
	2.5 - 5.5	5.5	011100CRO055X	13.0	16.0	22.8	1.5	13.0	8.5	4350	53	16.4	9.8
M10 x 1.50	4.5 - 7.0	7.0	011100CRO070X	13.0	16.0	24.3	1.5	13.0	10.0	4350	53	16.4	10.2
	0.0 - 4.2	4.2	011120CRO042X	16.0	20.0	23.3	1.7	16.0	8.1	6500	92	23.5	15.2
	2.5 - 6.0	6.0	011120CRO060X	16.0	20.0	26.0	1.7	16.0	9.9	6500	92	23.5	16.6
	4.0 - 7.6	7.6	011120CRO076X	16.0	20.0	28.5	1.7	16.0	11.5	6500	92	23.5	18.1
	7.0 - 9.2	9.2	011120CRO092X	16.0	20.0	30.1	1.7	16.0	13.1	6500	92	23.5	18.7
M14 x 2.00	0.0 - 3.0	3.0	011140CRO030X	18.0	23.0	26.9	2.0	18.0	7.3	7800	148	31.5	23.7
	2.0 - 5.0	5.0	011140CRO050X	18.0	23.0	28.6	2.0	18.0	9.3	7800	148	31.5	24.9
	4.0 - 7.0	7.0	011140CRO070X	18.0	23.0	30.6	2.0	18.0	11.3	7800	148	31.5	26.2
	7.0 - 9.0	9.0	011140CRO090X	18.0	23.0	32.6	2.0	18.0	13.3	7800	148	31.5	27.5
	0.0 - 3.2	3.2	011160CRO032X	21.0	26.0	28.0	2.5	21.0	8.4	10500	232	41	33.1
M16 x 2.00	1.0 - 5.7	5.7	011160CRO057X	21.0	26.0	30.5	2.5	21.0	10.9	10500	232	41	35.0
	3.5 - 8.2	8.2	011160CRO082X	21.0	26.0	33.0	2.5	21.0	13.4	10500	232	41	36.9
	7.0 - 11.0	11.0	011160CRO110X	21.0	26.0	35.8	2.5	21.0	16.2	10500	232	41	39.0

Écrou à sertir en aveugle correspondant à l'ancienne désignation M ... CO ... INOX
 Blind Rivet Nuts corresponding to old designation M ... CO ... STAINLESS STEEL