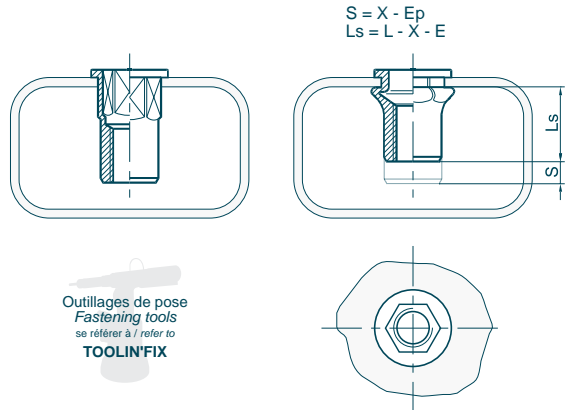
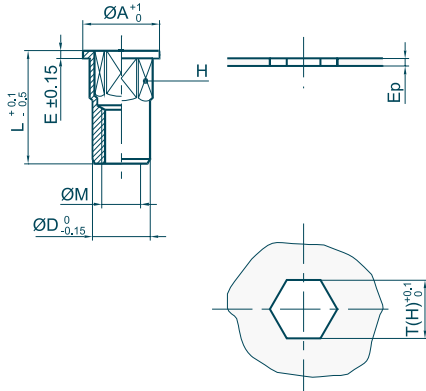


## Écrous à sertir en aveugle Blind Rivet Nuts

Matière : Inox / Material : Stainless Steel  
 Tête : Cylindrique / Head : Flange  
 Fût : Hexagonal / Body : Hexagonal  
 Extrémité du fût : Ouvert / Body end : Open Shape



Outillages de pose  
Fastening tools  
se référer à / refer to  
**TOOLIN'FIX**

Ø M	Ep		Code	H	mm		Ø A	L	E	Ø D	X	indicative data				
	min	max			T(H)											
M2.5 x 0.45	0.0 - 1.1	0.11025CHO011X	4.0	4.0	6.0	6.9	0.6	4.0	2.4	325	1.0	1.0	0.4			
	1.0 - 1.7	0.11025CHO017X	4.0	4.0	6.0	7.5	0.6	4.0	3.0	325	1.0	1.0	0.4			
M3 x 0.50	0.0 - 1.1	0.11030CHO011X	5.0	5.0	7.0	7.4	0.8	5.0	2.3	500	1.4	1.3	0.6			
	0.0 - 1.7	0.11030CHO017X	5.0	5.0	7.0	8.0	0.8	5.0	2.9	500	1.4	1.3	0.7			
	1.0 - 2.3	0.11030CHO023X	5.0	5.0	7.0	8.6	0.8	5.0	3.5	500	1.4	1.3	0.7			
	2.3 - 3.0	0.11030CHO030X	5.0	5.0	7.0	9.2	0.8	5.0	4.1	500	1.4	1.3	0.7			
M4 x 0.70	0.0 - 1.3	0.11040CHO013X	6.0	6.0	8.0	9.1	0.8	6.0	2.6	825	3.2	3.1	1.0			
	0.8 - 2.1	0.11040CHO021X	6.0	6.0	8.0	9.8	0.8	6.0	3.3	825	3.2	3.1	1.1			
	1.8 - 3.0	0.11040CHO030X	6.0	6.0	8.0	10.7	0.8	6.0	4.3	825	3.2	3.1	1.1			
	2.5 - 3.7	0.11040CHO037X	6.0	6.0	8.0	11.5	0.8	6.0	5.0	825	3.2	3.1	1.2			
M5 x 0.80	0.0 - 1.5	0.11050CHO015X	7.0	7.0	9.0	10.5	1.0	7.0	3.1	1150	6.4	6.1	1.5			
	0.5 - 2.5	0.11050CHO025X	7.0	7.0	9.0	11.5	1.0	7.0	4.1	1150	6.4	6.1	1.6			
	1.5 - 3.5	0.11050CHO035X	7.0	7.0	9.0	12.2	1.0	7.0	5.1	1150	6.4	6.1	1.7			
	3.0 - 4.5	0.11050CHO045X	7.0	7.0	9.0	13.5	1.0	7.0	6.1	1150	6.4	6.1	1.8			
M6 x 1.00	0.0 - 1.5	0.11060CHO015X	9.0	9.0	11.0	13.0	1.2	9.0	3.5	1950	11.1	10.6	3.4			
	0.5 - 2.5	0.11060CHO025X	9.0	9.0	11.0	14.0	1.2	9.0	4.5	1950	11.1	10.6	3.5			
	1.5 - 3.5	0.11060CHO035X	9.0	9.0	11.0	15.0	1.2	9.0	5.5	1950	11.1	10.6	3.7			
	2.5 - 4.5	0.11060CHO045X	9.0	9.0	11.0	16.1	1.2	9.0	6.5	1950	11.1	10.6	3.9			
M8 x 1.25	3.5 - 5.5	0.11060CHO055X	9.0	9.0	11.0	17.1	1.2	9.0	7.5	1950	11.1	10.6	4.0			
	0.0 - 1.8	0.11080CHO018X	11.0	11.0	14.0	15.7	1.5	11.0	4.0	3200	27	25.8	5.7			
	1.0 - 3.0	0.11080CHO030X	11.0	11.0	14.0	16.9	1.5	11.0	5.2	3200	27	25.8	5.9			
	2.2 - 4.2	0.11080CHO042X	11.0	11.0	14.0	18.1	1.5	11.0	6.4	3200	27	25.8	6.2			
M10 x 1.50	3.0 - 5.0	0.11080CHO050X	11.0	11.0	14.0	18.9	1.5	11.0	7.2	3200	27	25.8	6.3			
	4.5 - 6.5	0.11080CHO065X	11.0	11.0	14.0	20.4	1.5	11.0	8.7	3200	27	25.8	6.7			
	0.0 - 2.5	0.11100CHO025X	13.0	13.0	16.0	19.8	1.5	13.0	5.5	4350	53	51	8.9			
	1.0 - 4.0	0.11100CHO040X	13.0	13.0	16.0	21.3	1.5	13.0	7.0	4350	53	51	9.4			
M12 x 1.75	2.5 - 5.5	0.11100CHO055X	13.0	13.0	16.0	22.8	1.5	13.0	8.5	4350	53	51	9.8			
	4.5 - 7.0	0.11100CHO070X	13.0	13.0	16.0	24.3	1.5	13.0	10.0	4350	53	51	10.2			
	0.0 - 4.2	0.11120CHO042X	16.0	16.0	20.0	23.3	1.7	16.0	8.1	6500	92	88	15.2			
	2.5 - 6.0	0.11120CHO060X	16.0	16.0	20.0	26.0	1.7	16.0	9.9	6500	92	88	16.6			
M14 x 2.00	4.0 - 7.6	0.11120CHO076X	16.0	16.0	20.0	28.5	1.7	16.0	11.5	6500	92	88	18.1			
	7.0 - 9.2	0.11120CHO092X	16.0	16.0	20.0	30.1	1.7	16.0	13.1	6500	92	88	18.7			
	0.0 - 3.0	0.11140CHO030X	18.0	18.0	23.0	26.9	2.0	18.0	7.3	7800	148	142	23.7			
	2.0 - 5.0	0.11140CHO050X	18.0	18.0	23.0	28.6	2.0	18.0	9.3	7800	148	142	24.9			
M16 x 2.00	4.0 - 7.0	0.11140CHO070X	18.0	18.0	23.0	30.6	2.0	18.0	11.3	7800	148	142	26.2			
	7.0 - 9.0	0.11140CHO090X	18.0	18.0	23.0	32.6	2.0	18.0	13.3	7800	148	142	27.5			
	0.0 - 3.2	0.11160CHO032X	21.0	21.0	26.0	28.0	2.5	21.0	8.4	10500	232	222	33.1			
	1.0 - 5.7	0.11160CHO057X	21.0	21.0	26.0	30.5	2.5	21.0	10.9	10500	232	222	35.0			
M16 x 2.00	3.5 - 8.2	0.11160CHO082X	21.0	21.0	26.0	33.0	2.5	21.0	13.4	10500	232	222	36.9			
	7.0 - 11.0	0.11160CHO110X	21.0	21.0	26.0	35.8	2.5	21.0	16.2	10500	232	222	39.0			

Écrou à sertir en aveugle correspondant à l'ancienne désignation H ... CO ... INOX  
 Blind Rivet Nuts corresponding to old designation H ... CO ... STAINLESS STEEL