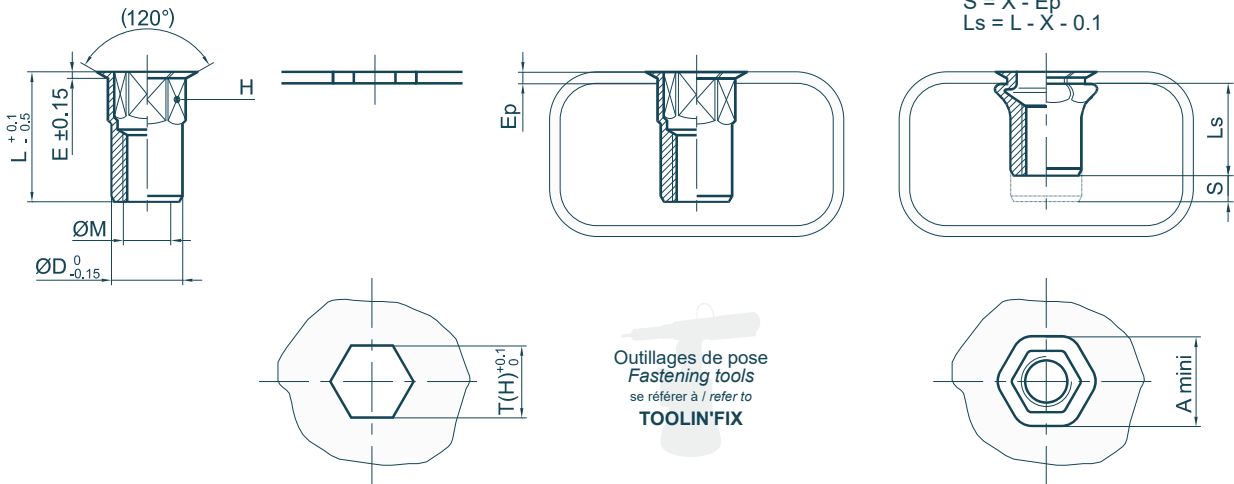


Écrous à sertir en aveugle Blind Rivet Nuts



| | |
|---------------------------|----------------------------|
| Matière : Inox | Material : Stainless Steel |
| Tête : Affleurante | Head : Flush |
| Fût : Hexagonal | Body : Hexagonal |
| Extrémité du fût : Ouvert | Body end : Open Shape |



| Ø M | Ep min - max | Code | H | mm T(H) | A | L | E | Ø D | X indicative data | daN | | | kg x1000 |
|-------------|-----------------|----------------|------|------------|-------|------|------|------|----------------------|-------|------|------|-------------|
| | | | | | | | | | | daN | N.m | N.m | |
| M2.5 x 0.45 | 0.0 - 1.1 | 011025AHO011X | 4.0 | 4.0 | 4.5 | 6.4 | 0.3 | 4.0 | 2.4 | 325 | 1.0 | 1.0 | 0.3 |
| | 1.0 - 1.7 | 011025AHO017X | 4.0 | 4.0 | 4.5 | 7.1 | 0.3 | 4.0 | 3.0 | 325 | 1.0 | 1.0 | 0.3 |
| M3 x 0.50 | 0.0 - 1.1 | 011030AHO011X | 5.0 | 5.0 | 5.7 | 6.7 | 0.3 | 5.0 | 2.3 | 500 | 1.4 | 1.3 | 0.5 |
| | 1.0 - 2.3 | 011030AHO023X | 5.0 | 5.0 | 5.7 | 7.9 | 0.3 | 5.0 | 3.4 | 500 | 1.4 | 1.3 | 0.6 |
| | 2.3 - 3.2 | 011030AHO032X | 5.0 | 5.0 | 5.7 | 9.1 | 0.3 | 5.0 | 4.7 | 500 | 1.4 | 1.3 | 0.6 |
| | 3.2 - 4.1 | 011030AHO041X | 5.0 | 5.0 | 5.7 | 10.0 | 0.3 | 5.0 | 5.7 | 500 | 1.4 | 1.3 | 0.6 |
| M4 x 0.70 | 0.0 - 1.3 | 011040AHO013X | 6.0 | 6.0 | 6.7 | 8.4 | 0.3 | 6.0 | 2.6 | 825 | 3.2 | 3.1 | 0.9 |
| | 1.0 - 2.3 | 011040AHO023X | 6.0 | 6.0 | 6.7 | 9.7 | 0.3 | 6.0 | 3.6 | 825 | 3.2 | 3.1 | 0.9 |
| | 1.8 - 3.0 | 011040AHO030X | 6.0 | 6.0 | 6.7 | 9.9 | 0.3 | 6.0 | 4.3 | 825 | 3.2 | 3.1 | 0.9 |
| | 2.9 - 3.7 | 011040AHO037X | 6.0 | 6.0 | 6.7 | 11.1 | 0.3 | 6.0 | 5.0 | 825 | 3.2 | 3.1 | 0.9 |
| | 3.0 - 4.2 | 011040AHO042X | 6.0 | 6.0 | 6.7 | 12.1 | 0.3 | 6.0 | 5.5 | 825 | 3.2 | 3.1 | 1.0 |
| | 4.2 - 5.5 | 011040AHO055X | 6.0 | 6.0 | 6.7 | 13.6 | 0.3 | 6.0 | 6.8 | 825 | 3.2 | 3.1 | 1.1 |
| M5 x 0.80 | 0.0 - 1.5 | 011050AHO015X | 7.0 | 7.0 | 7.9 | 9.6 | 0.4 | 7.0 | 3.1 | 1150 | 6.4 | 6.1 | 1.3 |
| | 0.5 - 2.5 | 011050AHO025X | 7.0 | 7.0 | 7.9 | 10.6 | 0.4 | 7.0 | 4.1 | 1150 | 6.4 | 6.1 | 1.3 |
| | 1.5 - 3.5 | 011050AHO035X* | 7.0 | 7.0 | 7.7 | 12.9 | 0.35 | 7.0 | 4.9 | 1150 | 6.4 | 6.1 | 1.5 |
| | 1.5 - 3.5 | 011050AHO035XD | 7.0 | 7.0 | 7.9 | 12.9 | 0.4 | 7.0 | 4.9 | 1150 | 6.4 | 6.1 | 1.5 |
| | 3.0 - 4.5 | 011050AHO045X | 7.0 | 7.0 | 7.9 | 12.6 | 0.4 | 7.0 | 6.1 | 1150 | 6.4 | 6.1 | 1.5 |
| M6 x 1.00 | 4.5 - 5.5 | 011050AHO055X | 7.0 | 7.0 | 7.9 | 13.6 | 0.4 | 7.0 | 7.1 | 1150 | 6.4 | 6.1 | 1.55 |
| | 0.0 - 1.5 | 011060AHO015X | 9.0 | 9.0 | 9.9 | 11.9 | 0.4 | 9.0 | 3.5 | 1950 | 11.1 | 10.6 | 2.9 |
| | 1.5 - 3.5 | 011060AHO035X* | 9.0 | 9.0 | 9.7 | 13.9 | 0.35 | 9.0 | 5.8 | 1950 | 11.1 | 10.6 | 3.2 |
| | 1.5 - 3.5 | 011060AHO035XD | 9.0 | 9.0 | 9.9 | 13.9 | 0.4 | 9.0 | 5.8 | 1950 | 11.1 | 10.6 | 3.2 |
| | 2.5 - 4.5 | 011060AHO045X | 9.0 | 9.0 | 9.9 | 14.9 | 0.4 | 9.0 | 6.5 | 1950 | 11.1 | 10.6 | 3.4 |
| | 3.5 - 5.5 | 011060AHO055X | 9.0 | 9.0 | 9.9 | 15.9 | 0.4 | 9.0 | 7.5 | 1950 | 11.1 | 10.6 | 3.5 |
| M8 x 1.25 | 5.0 - 6.5 | 011060AHO065X | 9.0 | 9.0 | 9.9 | 16.8 | 0.4 | 9.0 | 8.5 | 1950 | 11.1 | 10.6 | 3.6 |
| | 0.0 - 1.8 | 011080AHO018X | 11.0 | 11.0 | 11.9 | 14.4 | 0.4 | 11.0 | 4.0 | 3200 | 27 | 25.8 | 4.7 |
| | 1.0 - 3.0 | 011080AHO030X | 11.0 | 11.0 | 11.9 | 15.6 | 0.4 | 11.0 | 5.2 | 3200 | 27 | 25.8 | 5.0 |
| | 2.2 - 4.2 | 011080AHO042X | 11.0 | 11.0 | 11.9 | 16.8 | 0.4 | 11.0 | 6.4 | 3200 | 27 | 25.8 | 5.2 |
| | 3.0 - 5.0 | 011080AHO050X* | 11.0 | 11.0 | 11.7 | 17.4 | 0.35 | 11.0 | 7.2 | 3200 | 27 | 25.8 | 5.4 |
| | 3.0 - 5.0 | 011080AHO050XD | 11.0 | 11.0 | 11.9 | 17.4 | 0.4 | 11.0 | 7.2 | 3200 | 27 | 25.8 | 5.4 |
| M10 x 1.50 | 4.5 - 6.5 | 011080AHO065X | 11.0 | 11.0 | 11.9 | 19.1 | 0.4 | 11.0 | 8.7 | 3200 | 27 | 25.8 | 5.7 |
| | 6.5 - 8.5 | 011080AHO085X | 11.0 | 11.0 | 11.9 | 21.1 | 0.4 | 11.0 | 10.5 | 3200 | 27 | 25.8 | 5.9 |
| | 0.0 - 3.2 | 011100AHO032X | 13.0 | 13.0 | 14.4 | 19.1 | 0.6 | 13.0 | 6.2 | 4350 | 53 | 51 | 7.9 |
| | 2.5 - 5.5 | 011100AHO055X | 13.0 | 13.0 | 14.4 | 21.4 | 0.6 | 13.0 | 8.5 | 4350 | 53 | 51 | 8.4 |
| | 3.5 - 6.5 | 011100AHO065X | 13.0 | 13.0 | 14.4 | 22.4 | 0.6 | 13.0 | 9.5 | 4350 | 53 | 51 | 8.5 |
| M12 x 1.75 | 5.5 - 7.5 | 011100AHO075X | 13.0 | 13.0 | 14.4 | 23.4 | 0.6 | 13.0 | 10.5 | 4350 | 53 | 51 | 8.5 |
| | 6.5 - 8.5 | 011100AHO085X | 13.0 | 13.0 | 14.4 | 24.4 | 0.6 | 13.0 | 11.5 | 4350 | 53 | 51 | 8.6 |
| | 0.0 - 4.2 | 011120AHO042X | 16.0 | 16.0 | 17.4 | 23.0 | 0.6 | 16.0 | 8.1 | 6500 | 92 | 88 | 14.3 |
| | 2.5 - 6.0 | 011120AHO060X | 16.0 | 16.0 | 17.4 | 24.4 | 0.6 | 16.0 | 9.9 | 6500 | 92 | 88 | 15.1 |
| M14 x 2.00 | 4.0 - 7.6 | 011120AHO076X | 16.0 | 16.0 | 17.4 | 26.0 | 0.6 | 16.0 | 11.5 | 6500 | 92 | 88 | 15.6 |
| | 7.0 - 9.2 | 011120AHO092X | 16.0 | 16.0 | 17.4 | 27.6 | 0.6 | 16.0 | 13.1 | 6500 | 92 | 88 | 16.3 |
| | 0.0 - 3.0 | 011140AHO030X | 18.0 | 18.0 | 19.35 | 24.6 | 0.6 | 18.0 | 7.3 | 7800 | 148 | 142 | 20.1 |
| | 2.0 - 5.0 | 011140AHO050X | 18.0 | 18.0 | 19.35 | 26.6 | 0.6 | 18.0 | 9.3 | 7800 | 148 | 142 | 21.3 |
| M16 x 2.00 | 4.0 - 7.0 | 011140AHO070X | 18.0 | 18.0 | 19.35 | 28.6 | 0.6 | 18.0 | 11.3 | 7800 | 148 | 142 | 22.5 |
| | 7.0 - 9.0 | 011140AHO090X | 18.0 | 18.0 | 19.35 | 30.6 | 0.6 | 18.0 | 13.3 | 7800 | 148 | 142 | 23.8 |
| | 0.0 - 3.2 | 011160AHO032X | 21.0 | 21.0 | 22.35 | 25.5 | 0.6 | 21.0 | 8.4 | 10500 | 232 | 222 | 27.5 |
| | 1.0 - 5.7 | 011160AHO057X | 21.0 | 21.0 | 22.35 | 28.0 | 0.6 | 21.0 | 10.9 | 10500 | 232 | 222 | 29.4 |
| | 3.5 - 8.2 | 011160AHO082X | 21.0 | 21.0 | 22.35 | 30.5 | 0.6 | 21.0 | 13.4 | 10500 | 232 | 222 | 31.3 |
| 7.0 - 11.0 | 011160AHO110X | 21.0 | 21.0 | 22.35 | 33.3 | 0.6 | 21.0 | 16.2 | 10500 | 232 | 222 | 33.2 | |

* = Cold headed product Écrou à sertir en aveugle correspondant à l'ancienne désignation H ... fO ... INOX
Blind Rivet Nuts corresponding to old designation H ... fO ... STAINLESS STEEL