

Écrous à sertir en aveugle Blind Rivet Nuts

Matière : Acier

Material : Steel

Tête : Fraisée

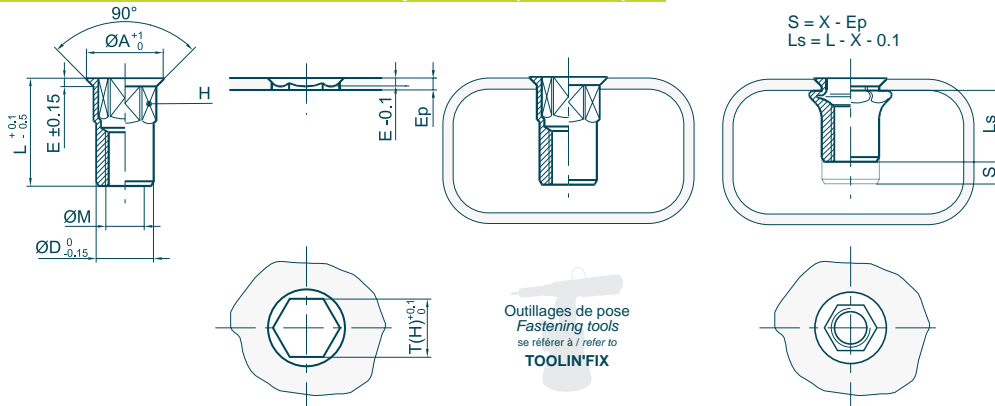
Head : Countersunk

Fût : Hexagonal

Body : Hexagonal

Extrémité du fût : Ouvert

Body end : Open Shape



Ø M	Ep min - max	Code	H	mm T(H)	Ø A	L	E	Ø D	X indicative data	daN			kg x1000
										daN	N.m	N.m	
M2.5 x 0.45	1.1 - 1.7	01A025FHO017Z	4.0	4.0	5.0	7.0	0.4	4.0	3.0	300	1.0	1.0	0.3
M3 x 0.50	1.1 - 1.7	01A030FHO017Z	5.0	5.0	6.8	7.8	1.0	5.0	2.8	450	1.4	1.3	0.6
	1.1 - 2.3	01A030FHO023Z	5.0	5.0	6.8	8.4	1.0	5.0	3.4	450	1.4	1.3	0.7
	1.8 - 3.0	01A030FHO030Z	5.0	5.0	6.8	9.0	1.0	5.0	4.0	450	1.4	1.3	0.7
M4 x 0.70	1.1 - 2.1	01A040FHO021Z	6.0	6.0	7.8	10.2	1.0	6.0	3.4	750	3.2	3.1	1.1
	1.1 - 3.0	01A040FHO030Z	6.0	6.0	7.8	11.1	1.0	6.0	4.3	750	3.2	3.1	1.1
	1.7 - 3.7	01A040FHO037Z	6.0	6.0	7.8	11.8	1.0	6.0	5.0	750	3.2	3.1	1.2
M5 x 0.80	1.1 - 2.5	01A050FHO025Z	7.0	7.0	8.8	11.8	1.0	7.0	4.0	1080	6.4	6.1	1.6
	1.5 - 3.5	01A050FHO035Z	7.0	7.0	8.8	12.8	1.0	7.0	5.0	1080	6.4	6.1	1.7
	2.5 - 4.5	01A050FHO045Z	7.0	7.0	8.8	13.8	1.0	7.0	6.0	1080	6.4	6.1	1.8
M6 x 1.00	1.1 - 2.5	01A060FHO025Z	9.0	9.0	10.8	14.3	1.0	9.0	4.4	1800	11.1	10.6	3.6
	1.5 - 3.5	01A060FHO035Z	9.0	9.0	10.8	15.3	1.0	9.0	5.4	1800	11.1	10.6	3.7
	2.5 - 4.5	01A060FHO045Z	9.0	9.0	10.8	16.3	1.0	9.0	6.4	1800	11.1	10.6	3.9
	3.5 - 5.5	01A060FHO055Z	9.0	9.0	10.8	17.3	1.0	9.0	7.4	1800	11.1	10.6	4.0
M8 x 1.25	1.8 - 3.0	01A080FHO030Z	11.0	11.0	13.8	15.8	1.5	11.0	4.9	2950	27	25.8	5.4
	2.2 - 4.2	01A080FHO042Z	11.0	11.0	13.8	17.0	1.5	11.0	6.1	2950	27	25.8	5.7
	3.0 - 5.0	01A080FHO050Z	11.0	11.0	13.8	17.8	1.5	11.0	6.9	2950	27	25.8	5.9
	4.5 - 6.5	01A080FHO065Z	11.0	11.0	13.8	19.3	1.5	11.0	8.4	2950	27	25.8	6.2
M10 x 1.50	1.8 - 4.0	01A100FHO040Z	13.0	13.0	15.8	21.4	1.5	13.0	6.8	4000	53	51	9.3
	2.0 - 5.5	01A100FHO055Z	13.0	13.0	15.8	22.9	1.5	13.0	8.3	4000	53	51	9.7
	4.0 - 7.0	01A100FHO070Z	13.0	13.0	15.8	24.4	1.5	13.0	9.8	4000	53	51	10.1
M12 x 1.75	2.5 - 4.2	01A120FHO042Z	16.0	16.0	19.8	24.3	2.0	16.0	7.3	6100	92	88	16.6
	2.0 - 6.0	01A120FHO060Z	16.0	16.0	19.8	26.1	2.0	16.0	9.1	6100	92	88	17.3
	3.5 - 7.6	01A120FHO076Z	16.0	16.0	19.8	27.7	2.0	16.0	10.7	6100	92	88	18.0
	6.0 - 9.2	01A120FHO092Z	16.0	16.0	19.8	29.3	2.0	16.0	12.3	6100	92	88	18.6
M14 x 2.00	1.0 - 5.0	01A140FHO050Z	18.0	18.0	22.8	28.7	2.5	18.0	9.0	7200	148	142	24.5
	3.0 - 7.0	01A140FHO070Z	18.0	18.0	22.8	30.6	2.5	18.0	11.0	7200	148	142	25.8
	6.0 - 9.0	01A140FHO090Z	18.0	18.0	22.8	32.6	2.5	18.0	13.0	7200	148	142	27.1
M16 x 2.00	3.0 - 5.7	01A160FHO057Z	21.0	21.0	25.8	30.4	2.5	21.0	10.7	10000	232	222	34.2
	2.0 - 8.2	01A160FHO082Z	21.0	21.0	25.8	32.9	2.5	21.0	13.2	10000	232	222	36.1
	6.0 - 11.0	01A160FHO110Z	21.0	21.0	25.8	35.7	2.5	21.0	16.0	10000	232	222	38.2

Écrou à sertir en aveugle correspondant à l'ancienne désignation H ... FO ... ACIER
Blind Rivet Nuts corresponding to old designation H ... FO ... STEEL