

Écrous à sertir en aveugle Blind Rivet Nuts



Material : Steel

Matière : Acier

Head : Countersunk

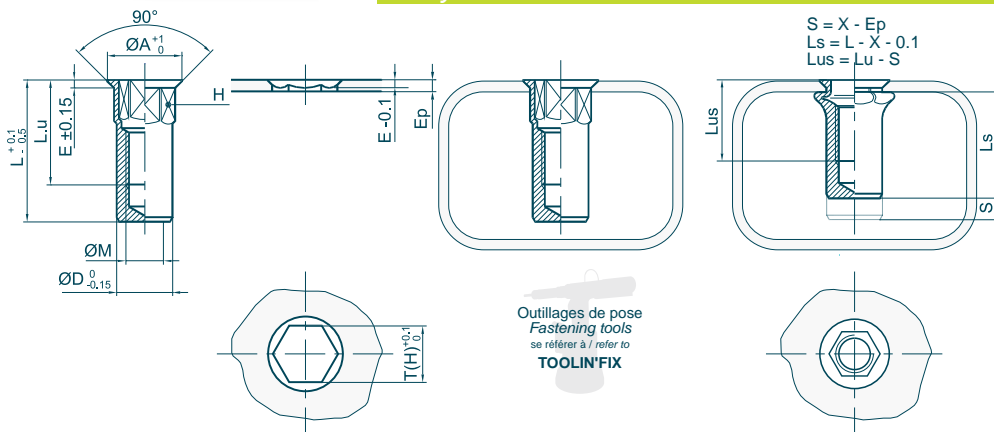
Tête : Fraisée

Body : Hexagonal

Fût : Hexagonal

Body end : Closed End

Extrémité du fût : Borgne



| Ø M | Ep | | Code | H | mm | | Ø A | L | Lu | E | Ø D | X | Fastening tools | | | kg x1000 |
|-------------|------------|-----|---------------|------|------|------|------|------|-----|------|------|-------|-----------------|------|------|----------|
| | min | max | | | T(H) | daN | | | | | | | N.m | N.m | | |
| M2.5 x 0.45 | 1.1 - 1.7 | | 01A025FHB017Z | 4.0 | 4.0 | 4.0 | 5.0 | 10.3 | 6.5 | 0.6 | 4.0 | 3.0 | 300 | 1.0 | 1.0 | 0.6 |
| M3 x 0.50 | 1.1 - 1.7 | | 01A030FHB017Z | 5.0 | 5.0 | 6.8 | 12.3 | 7.0 | 1.0 | 5.0 | 2.8 | 450 | 1.4 | 1.3 | 1.2 | |
| | 1.1 - 2.3 | | 01A030FHB023Z | 5.0 | 5.0 | 6.8 | 12.9 | 8.0 | 1.0 | 5.0 | 3.4 | 450 | 1.4 | 1.3 | 1.2 | |
| | 1.8 - 3.0 | | 01A030FHB030Z | 5.0 | 5.0 | 6.8 | 13.5 | 9.0 | 1.0 | 5.0 | 4.0 | 450 | 1.4 | 1.3 | 1.2 | |
| M4 x 0.70 | 1.1 - 2.1 | | 01A040FHB021Z | 6.0 | 6.0 | 7.8 | 15.9 | 9.5 | 1.0 | 6.0 | 3.4 | 750 | 3.2 | 3.1 | 2.0 | |
| | 1.1 - 3.0 | | 01A040FHB030Z | 6.0 | 6.0 | 7.8 | 16.8 | 10.6 | 1.0 | 6.0 | 4.3 | 750 | 3.2 | 3.1 | 2.1 | |
| | 1.7 - 3.7 | | 01A040FHB037Z | 6.0 | 6.0 | 7.8 | 17.5 | 11.0 | 1.0 | 6.0 | 5.0 | 750 | 3.2 | 3.1 | 2.1 | |
| M5 x 0.80 | 1.1 - 2.5 | | 01A050FHB025Z | 7.0 | 7.0 | 8.8 | 18.3 | 12.0 | 1.0 | 7.0 | 4.0 | 1080 | 6.4 | 6.1 | 3.0 | |
| | 1.5 - 3.5 | | 01A050FHB035Z | 7.0 | 7.0 | 8.8 | 19.3 | 13.0 | 1.0 | 7.0 | 5.0 | 1080 | 6.4 | 6.1 | 3.1 | |
| | 2.5 - 4.5 | | 01A050FHB045Z | 7.0 | 7.0 | 8.8 | 20.3 | 14.0 | 1.0 | 7.0 | 6.0 | 1080 | 6.4 | 6.1 | 3.1 | |
| M6 x 1.00 | 1.1 - 2.5 | | 01A060FHB025Z | 9.0 | 9.0 | 10.8 | 22.3 | 13.5 | 1.0 | 9.0 | 4.4 | 1800 | 11.1 | 10.6 | 6.5 | |
| | 1.5 - 3.5 | | 01A060FHB035Z | 9.0 | 9.0 | 10.8 | 23.3 | 14.5 | 1.0 | 9.0 | 5.4 | 1800 | 11.1 | 10.6 | 6.7 | |
| | 2.5 - 4.5 | | 01A060FHB045Z | 9.0 | 9.0 | 10.8 | 24.3 | 15.5 | 1.0 | 9.0 | 6.4 | 1800 | 11.1 | 10.6 | 6.8 | |
| | 3.5 - 5.5 | | 01A060FHB055Z | 9.0 | 9.0 | 10.8 | 25.3 | 16.5 | 1.0 | 9.0 | 7.4 | 1800 | 11.1 | 10.6 | 7.0 | |
| | 1.8 - 3.0 | | 01A080FHB030Z | 11.0 | 11.0 | 13.8 | 25.3 | 16.1 | 1.5 | 11.0 | 4.9 | 2950 | 27 | 25.8 | 10.2 | |
| M8 x 1.25 | 2.2 - 4.2 | | 01A080FHB042Z | 11.0 | 11.0 | 13.8 | 26.5 | 18.1 | 1.5 | 11.0 | 6.1 | 2950 | 27 | 25.8 | 10.5 | |
| | 3.0 - 5.0 | | 01A080FHB050Z | 11.0 | 11.0 | 13.8 | 27.3 | 18.7 | 1.5 | 11.0 | 6.9 | 2950 | 27 | 25.8 | 10.7 | |
| | 4.5 - 6.5 | | 01A080FHB065Z | 11.0 | 11.0 | 13.8 | 28.8 | 20.0 | 1.5 | 11.0 | 8.4 | 2950 | 27 | 25.8 | 11.0 | |
| | 1.8 - 4.0 | | 01A100FHB040Z | 13.0 | 13.0 | 15.8 | 32.9 | 21.0 | 1.5 | 13.0 | 6.8 | 4000 | 53 | 51 | 17.0 | |
| | 2.0 - 5.5 | | 01A100FHB055Z | 13.0 | 13.0 | 15.8 | 34.4 | 22.0 | 1.5 | 13.0 | 8.3 | 4000 | 53 | 51 | 17.5 | |
| M10 x 1.50 | 4.0 - 7.0 | | 01A100FHB070Z | 13.0 | 13.0 | 15.8 | 35.9 | 24.0 | 1.5 | 13.0 | 9.8 | 4000 | 53 | 51 | 17.9 | |
| | 2.5 - 4.2 | | 01A120FHB042Z | 16.0 | 16.0 | 19.8 | 36.3 | 23.7 | 2.0 | 16.0 | 7.3 | 6100 | 92 | 88 | 29.3 | |
| | 2.5 - 6.0 | | 01A120FHB060Z | 16.0 | 16.0 | 19.8 | 38.1 | 25.7 | 2.0 | 16.0 | 9.1 | 6100 | 92 | 88 | 30.0 | |
| M12 x 1.75 | 3.5 - 7.6 | | 01A120FHB076Z | 16.0 | 16.0 | 19.8 | 39.7 | 28.0 | 2.0 | 16.0 | 10.7 | 6100 | 92 | 88 | 30.6 | |
| | 6.0 - 9.2 | | 01A120FHB092Z | 16.0 | 16.0 | 19.8 | 41.1 | 29.4 | 2.0 | 16.0 | 12.3 | 6100 | 92 | 88 | 31.2 | |
| | 1.0 - 5.0 | | 01A140FHB050Z | 18.0 | 18.0 | 22.8 | 43.4 | 29.4 | 2.5 | 18.0 | 9.0 | 7200 | 148 | 142 | 43.4 | |
| | 3.0 - 7.0 | | 01A140FHB070Z | 18.0 | 18.0 | 22.8 | 45.6 | 31.6 | 2.5 | 18.0 | 11.0 | 7200 | 148 | 142 | 44.7 | |
| | 6.0 - 9.0 | | 01A140FHB090Z | 18.0 | 18.0 | 22.8 | 47.7 | 33.7 | 2.5 | 18.0 | 13.0 | 7200 | 148 | 142 | 46.0 | |
| M16 x 2.00 | 3.0 - 5.7 | | 01A160FHB057Z | 21.0 | 21.0 | 25.8 | 46.4 | 30.5 | 2.5 | 21.0 | 10.7 | 10000 | 232 | 222 | 62.0 | |
| | 2.0 - 8.2 | | 01A160FHB082Z | 21.0 | 21.0 | 25.8 | 48.9 | 33.0 | 2.5 | 21.0 | 13.2 | 10000 | 232 | 222 | 63.9 | |
| | 6.0 - 11.0 | | 01A160FHB110Z | 21.0 | 21.0 | 25.8 | 51.7 | 35.5 | 2.5 | 21.0 | 16.0 | 10000 | 232 | 222 | 66.1 | |

Écrou à sertir en aveugle correspondant à l'ancienne désignation H ... FB ... ACIER
Blind Rivet Nuts corresponding to old designation H ... FB ... STEEL