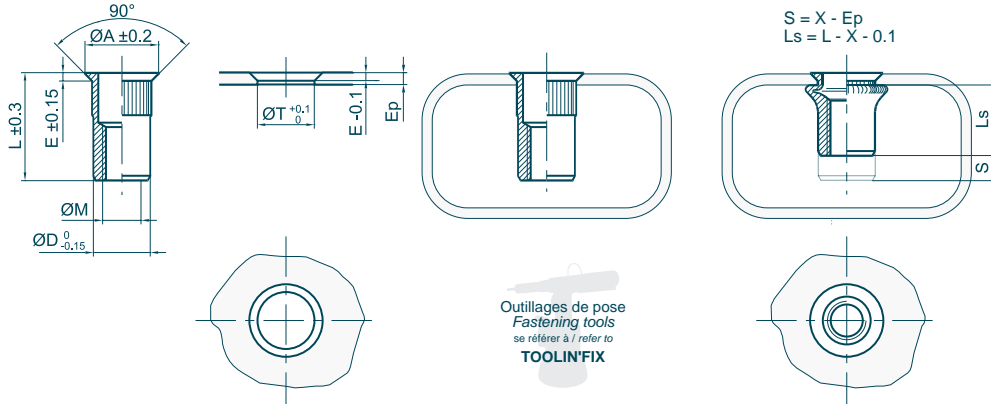




## Écrous à sertir en aveugle Blind Rivet Nuts



Matière : Acier Material : Steel  
 Tête : Fraisée Head : Countersunk  
 Fût : Cannelé Body : Knurled  
 Extrémité du fût : Ouvert Body end : Open Shape



Ø M	Ep		Code	mm		Ø A	L	E	Ø D	X	daN	N,m	N,m	kg x1000
	min	max		ØT	ØA									
M2.5 x 0.45	1.1	1.7	01A025FCO017Z	4.0	5.0	7.0	0.4	4.0	3.0	300	1.0	0.8	0.3	
M3 x 0.50	1.1	1.7	01A030FCO017Z	5.0	6.8	7.8	1.0	5.0	2.8	450	1.4	1.0	0.6	
	1.1	2.3	01A030FCO023Z	5.0	6.8	8.4	1.0	5.0	3.4	450	1.4	1.0	0.7	
	1.8	3.0	01A030FCO030Z	5.0	6.8	9.0	1.0	5.0	4.0	450	1.4	1.0	0.7	
	1.1	2.1	01A040FCO021Z	6.0	7.8	10.2	1.0	6.0	3.4	750	3.2	2.1	1.1	
M4 x 0.70	1.1	3.0	01A040FCO030Z	6.0	7.8	11.1	1.0	6.0	4.3	750	3.2	2.1	1.1	
	1.7	3.7	01A040FCO037Z	6.0	7.8	11.8	1.0	6.0	5.0	750	3.2	2.1	1.2	
	1.1	2.5	01A050FCO025Z	7.0	8.8	11.8	1.0	7.0	4.0	1080	6.4	3.2	1.6	
	1.5	3.5	01A050FCO035Z	7.0	8.8	12.8	1.0	7.0	5.0	1080	6.4	3.2	1.7	
M5 x 0.80	2.5	4.5	01A050FCO045Z	7.0	8.8	13.8	1.0	7.0	6.0	1080	6.4	3.2	1.8	
	1.1	2.5	01A060FCO025Z	9.0	10.8	14.3	1.0	9.0	4.4	1800	11.1	6.0	3.6	
	1.5	3.5	01A060FCO035Z	9.0	10.8	15.3	1.0	9.0	5.4	1800	11.1	6.0	3.7	
	2.5	4.5	01A060FCO045Z	9.0	10.8	16.3	1.0	9.0	6.4	1800	11.1	6.0	3.9	
M6 x 1.00	3.5	5.5	01A060FCO055Z	9.0	10.8	17.3	1.0	9.0	7.4	1800	11.1	6.0	4.0	
	1.8	3.0	01A080FCO030Z	11.0	13.8	15.8	1.5	11.0	4.9	2950	27	10.5	5.4	
	2.2	4.2	01A080FCO042Z	11.0	13.8	17.0	1.5	11.0	6.1	2950	27	10.5	5.7	
	3.0	5.0	01A080FCO050Z	11.0	13.8	17.8	1.5	11.0	6.9	2950	27	10.5	5.9	
M8 x 1.25	4.5	6.5	01A080FCO065Z	11.0	13.8	19.3	1.5	11.0	8.4	2950	27	10.5	6.2	
	1.8	4.0	01A100FCO040Z	13.0	15.8	21.4	1.5	13.0	6.8	4000	53	16.4	9.3	
	2.0	5.5	01A100FCO055Z	13.0	15.8	22.9	1.5	13.0	8.3	4000	53	16.4	9.7	
	4.0	7.0	01A100FCO070Z	13.0	15.8	24.4	1.5	13.0	9.8	4000	53	16.4	10.1	
M10 x 1.50	2.5	4.2	01A120FCO042Z	16.0	19.8	24.3	2.0	16.0	7.3	6100	92	23.5	16.6	
	2.0	6.0	01A120FCO060Z	16.0	19.8	26.1	2.0	16.0	9.1	6100	92	23.5	17.3	
	3.5	7.6	01A120FCO076Z	16.0	19.8	27.7	2.0	16.0	10.7	6100	92	23.5	18.0	
	6.0	9.2	01A120FCO092Z	16.0	19.8	29.3	2.0	16.0	12.3	6100	92	23.5	18.6	
M12 x 1.75	1.0	5.0	01A140FCO050Z	18.0	22.8	28.7	2.5	18.0	9.0	7200	148	31.5	24.5	
	3.0	7.0	01A140FCO070Z	18.0	22.8	30.6	2.5	18.0	11.0	7200	148	31.5	25.8	
	6.0	9.0	01A140FCO090Z	18.0	22.8	32.6	2.5	18.0	13.0	7200	148	31.5	27.1	
M14 x 2.00	3.0	5.7	01A160FCO057Z	21.0	25.8	30.4	2.5	21.0	10.7	10000	232	41	34.2	
	2.0	8.2	01A160FCO082Z	21.0	25.8	32.9	2.5	21.0	13.2	10000	232	41	36.1	
	6.0	11.0	01A160FCO110Z	21.0	25.8	35.7	2.5	21.0	16.0	10000	232	41	38.2	

Écrou à sertir en aveugle correspondant à l'ancienne désignation C ... FO ... ACIER  
 Blind Rivet Nuts corresponding to old designation C ... FO ... STEEL