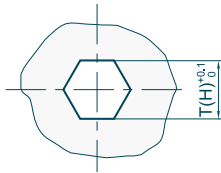
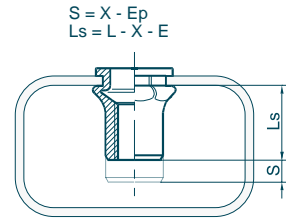
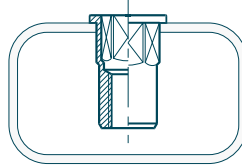
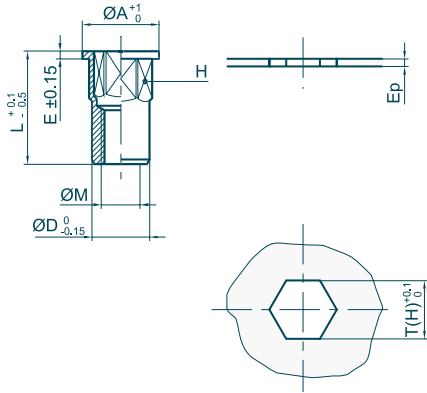


Écrous à sertir en aveugle Blind Rivet Nuts



Matière : Acier	Material : Steel
Tête : Cylindrique	Head : Flange
Fût : Hexagonal	Body : Hexagonal
Extrémité du fût : Ouvert	Body end : Open Shape



Outillages de pose
Fastening tools
se référer à / refer to
TOOLIN'FIX

Ø M	Ep		Code	H	mm		Ø A	L	E	Ø D	X	indicative data	daN	N,m	N,m	kg x1000
	min	max			T(H)	Ø A										
M2.5 x 0.45	0.0 - 1.1	1.1 - 1.7	01A025CHO011Z	4.0	4.0	6.0	6.9	0.6	4.0	2.4	300	300	1.0	1.0	0.4	
	0.0 - 1.1	1.1 - 1.7	01A025CHO017Z	4.0	4.0	6.0	7.5	0.6	4.0	3.0	300	300	1.0	1.0	0.4	
M3 x 0.50	0.0 - 1.1	1.1 - 1.7	01A030CHO011Z	5.0	5.0	7.0	7.9	0.8	5.0	2.2	450	450	1.4	1.3	0.7	
	0.0 - 1.7	1.7 - 3.0	01A030CHO017Z	5.0	5.0	7.0	8.5	0.8	5.0	2.8	450	450	1.4	1.3	0.7	
	1.0 - 2.3	2.3 - 3.0	01A030CHO023Z	5.0	5.0	7.0	9.1	0.8	5.0	3.4	450	450	1.4	1.3	0.7	
	1.8 - 3.0	3.0 - 3.5	01A030CHO030Z	5.0	5.0	7.0	9.7	0.8	5.0	4.0	450	450	1.4	1.3	0.8	
M4 x 0.70	0.0 - 1.3	1.3 - 1.7	01A040CHO013Z	6.0	6.0	8.0	10.1	0.8	6.0	2.6	750	750	3.2	3.1	1.2	
	0.0 - 2.1	2.1 - 3.0	01A040CHO021Z	6.0	6.0	8.0	10.9	0.8	6.0	3.4	750	750	3.2	3.1	1.2	
	1.0 - 3.0	3.0 - 3.5	01A040CHO030Z	6.0	6.0	8.0	11.9	0.8	6.0	4.3	750	750	3.2	3.1	1.3	
	1.7 - 3.7	3.7 - 4.5	01A040CHO037Z	6.0	6.0	8.0	12.5	0.8	6.0	5.0	750	750	3.2	3.1	1.3	
M5 x 0.80	0.0 - 1.5	1.5 - 2.5	01A050CHO015Z	7.0	7.0	9.0	11.7	1.0	7.0	3.0	1050	1050	6.4	6.1	1.7	
	0.0 - 2.5	2.5 - 3.5	01A050CHO025Z	7.0	7.0	9.0	12.7	1.0	7.0	4.0	1050	1050	6.4	6.1	1.8	
	1.5 - 3.5	3.5 - 4.5	01A050CHO035Z	7.0	7.0	9.0	13.7	1.0	7.0	5.0	1050	1050	6.4	6.1	1.9	
	2.5 - 4.5	4.5 - 5.5	01A050CHO045Z	7.0	7.0	9.0	14.7	1.0	7.0	6.0	1050	1050	6.4	6.1	2.0	
M6 x 1.00	0.0 - 1.5	1.5 - 2.5	01A060CHO015Z	9.0	9.0	11.0	14.4	1.2	9.0	3.4	1800	1800	11.1	10.6	3.8	
	0.5 - 2.5	2.5 - 3.5	01A060CHO025Z	9.0	9.0	11.0	15.4	1.2	9.0	4.4	1800	1800	11.1	10.6	3.9	
	1.5 - 3.5	3.5 - 4.5	01A060CHO035Z	9.0	9.0	11.0	16.4	1.2	9.0	5.4	1800	1800	11.1	10.6	4.1	
	2.5 - 4.5	4.5 - 5.5	01A060CHO045Z	9.0	9.0	11.0	17.4	1.2	9.0	6.4	1800	1800	11.1	10.6	4.2	
M8 x 1.25	0.0 - 1.8	1.8 - 2.2	01A080CHO018Z	11.0	11.0	14.0	16.0	1.5	11.0	3.7	2950	2950	27	25.8	5.9	
	1.0 - 3.0	3.0 - 4.2	01A080CHO030Z	11.0	11.0	14.0	17.3	1.5	11.0	4.9	2950	2950	27	25.8	6.1	
	2.2 - 4.2	4.2 - 5.0	01A080CHO042Z	11.0	11.0	14.0	18.4	1.5	11.0	6.1	2950	2950	27	25.8	6.4	
	3.0 - 5.0	5.0 - 6.5	01A080CHO050Z	11.0	11.0	14.0	19.5	1.5	11.0	6.9	2950	2950	27	25.8	6.7	
M10 x 1.50	0.0 - 2.5	2.5 - 4.0	01A100CHO025Z	13.0	13.0	16.0	21.3	1.5	13.0	5.3	4000	4000	53	51	9.7	
	0.5 - 4.0	4.0 - 7.0	01A100CHO040Z	13.0	13.0	16.0	22.8	1.5	13.0	6.8	4000	4000	53	51	10.1	
	2.0 - 5.5	5.5 - 7.0	01A100CHO055Z	13.0	13.0	16.0	24.5	1.5	13.0	8.3	4000	4000	53	51	10.6	
	4.0 - 7.0	7.0 - 8.2	01A100CHO070Z	13.0	13.0	16.0	25.8	1.5	13.0	9.8	4000	4000	53	51	11.0	
M12 x 1.75	0.0 - 4.2	4.2 - 6.0	01A120CHO042Z	16.0	16.0	20.0	25.9	1.7	16.0	7.3	6100	6100	92	88	17.9	
	2.0 - 6.0	6.0 - 7.6	01A120CHO060Z	16.0	16.0	20.0	27.7	1.7	16.0	9.1	6100	6100	92	88	18.7	
	3.5 - 7.6	7.6 - 9.2	01A120CHO076Z	16.0	16.0	20.0	29.3	1.7	16.0	10.7	6100	6100	92	88	19.4	
	6.0 - 9.2	9.2 - 11.0	01A120CHO092Z	16.0	16.0	20.0	30.9	1.7	16.0	12.3	6100	6100	92	88	20.0	
M14 x 2.00	0.0 - 3.0	3.0 - 5.0	01A140CHO030Z	18.0	18.0	23.0	28.6	2.0	18.0	7.0	7200	7200	148	142	25.6	
	1.0 - 5.0	5.0 - 7.0	01A140CHO050Z	18.0	18.0	23.0	30.5	2.0	18.0	9.0	7200	7200	148	142	26.7	
	3.0 - 7.0	7.0 - 9.0	01A140CHO070Z	18.0	18.0	23.0	32.5	2.0	18.0	11.0	7200	7200	148	142	28.1	
	6.0 - 9.0	9.0 - 11.0	01A140CHO090Z	18.0	18.0	23.0	34.5	2.0	18.0	13.0	7200	7200	148	142	29.3	
M16 x 2.00	0.0 - 3.2	3.2 - 5.7	01A160CHO032Z	21.0	21.0	26.0	30.3	2.5	21.0	8.2	10000	10000	232	222	36.1	
	0.0 - 5.7	5.7 - 8.2	01A160CHO057Z	21.0	21.0	26.0	32.8	2.5	21.0	10.7	10000	10000	232	222	38.0	
	2.0 - 8.2	8.2 - 11.0	01A160CHO082Z	21.0	21.0	26.0	35.3	2.5	21.0	13.2	10000	10000	232	222	39.9	
	6.0 - 11.0	11.0 - 13.0	01A160CHO110Z	21.0	21.0	26.0	38.1	2.5	21.0	16.0	10000	10000	232	222	42.0	

Écrou à sertir en aveugle correspondant à l'ancienne désignation H ... CO ... ACIER
Blind Rivet Nuts corresponding to old designation H ... CO ... STEEL