

Écrous à sertir en aveugle Blind Rivet Nuts



Material : Steel

Matière : Acier

Head : Flange

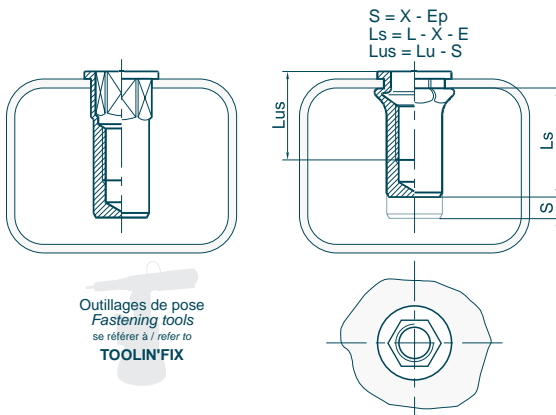
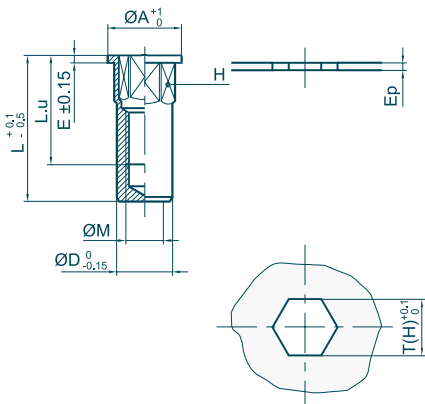
Tête : Cylindrique

Body : Hexagonal

Fût : Hexagonal

Body end : Closed End

Extrémité du fût : Borgne



Ø M	Ep		Code	H	mm		Ø A	L	L _u	E	Ø D	X	indicative data			kg x1000
	min	max			T(H)	daN							N.m	N.m		
M2.5 x 0.45	0.0 - 1.1	0.1	01A025CHB011Z	4.0	4.0	4.0	6.0	10.2	6.1	0.6	4.0	2.4	300	1.0	1.0	0.6
	1.1 - 1.7	0.1	01A025CHB017Z	4.0	4.0	6.0	10.8	7.0	0.6	4.0	3.0	300	1.0	1.0	0.6	
M3 x 0.50	0.0 - 1.1	0.1	01A030CHB011Z	5.0	5.0	7.0	12.4	7.0	0.8	5.0	2.2	450	1.4	1.3	1.2	
	0.0 - 1.7	0.1	01A030CHB017Z	5.0	5.0	7.0	13.0	7.5	0.8	5.0	2.8	450	1.4	1.3	1.3	
	1.0 - 2.3	0.1	01A030CHB023Z	5.0	5.0	7.0	13.6	8.5	0.8	5.0	3.4	450	1.4	1.3	1.3	
M4 x 0.70	1.8 - 3.0	0.1	01A030CHB030Z	5.0	5.0	7.0	14.2	8.7	0.8	5.0	4.0	450	1.4	1.3	1.3	
	0.0 - 1.3	0.1	01A040CHB013Z	6.0	6.0	8.0	15.8	9.5	0.8	6.0	2.6	750	3.2	3.1	2.1	
	0.0 - 2.1	0.1	01A040CHB021Z	6.0	6.0	8.0	16.6	10.0	0.8	6.0	3.4	750	3.2	3.1	2.1	
M5 x 0.80	1.0 - 3.0	0.1	01A040CHB030Z	6.0	6.0	8.0	17.5	11.1	0.8	6.0	4.3	750	3.2	3.1	2.2	
	1.7 - 3.7	0.1	01A040CHB037Z	6.0	6.0	8.0	18.2	12.0	0.8	6.0	5.0	750	3.2	3.1	2.2	
	0.0 - 1.5	0.1	01A050CHB015Z	7.0	7.0	9.0	18.2	11.0	1.0	7.0	3.0	1050	6.4	6.1	3.1	
M6 x 1.00	0.0 - 2.5	0.1	01A050CHB025Z	7.0	7.0	9.0	19.2	12.0	1.0	7.0	4.0	1050	6.4	6.1	3.2	
	1.5 - 3.5	0.1	01A050CHB035Z	7.0	7.0	9.0	20.2	13.0	1.0	7.0	5.0	1050	6.4	6.1	3.3	
	2.5 - 4.5	0.1	01A050CHB045Z	7.0	7.0	9.0	21.2	14.0	1.0	7.0	6.0	1050	6.4	6.1	3.3	
M8 x 1.25	0.0 - 1.5	0.1	01A060CHB015Z	9.0	9.0	11.0	22.4	14.0	1.2	9.0	3.4	1800	11.1	10.6	6.7	
	0.5 - 2.5	0.1	01A060CHB025Z	9.0	9.0	11.0	23.4	15.0	1.2	9.0	4.4	1800	11.1	10.6	6.9	
	1.5 - 3.5	0.1	01A060CHB035Z	9.0	9.0	11.0	24.4	16.5	1.2	9.0	5.4	1800	11.1	10.6	7.0	
M10 x 1.50	2.5 - 4.5	0.1	01A060CHB045Z	9.0	9.0	11.0	25.4	17.5	1.2	9.0	6.4	1800	11.1	10.6	7.2	
	3.5 - 5.5	0.1	01A060CHB055Z	9.0	9.0	11.0	26.4	18.5	1.2	9.0	7.4	1800	11.1	10.6	7.3	
	0.0 - 1.8	0.1	01A080CHB018Z	11.0	11.0	14.0	25.5	17.1	1.5	11.0	3.7	2950	27	25.8	10.6	
M12 x 1.75	1.0 - 3.0	0.1	01A080CHB030Z	11.0	11.0	14.0	26.7	18.1	1.5	11.0	4.9	2950	27	25.8	10.9	
	2.2 - 4.2	0.1	01A080CHB042Z	11.0	11.0	14.0	27.9	19.1	1.5	11.0	6.1	2950	27	25.8	11.2	
	3.0 - 5.0	0.1	01A080CHB050Z	11.0	11.0	14.0	28.7	19.7	1.5	11.0	6.9	2950	27	25.8	11.5	
M14 x 2.00	4.5 - 6.5	0.1	01A080CHB065Z	11.0	11.0	14.0	30.2	21.0	1.5	11.0	8.4	2950	27	25.8	11.7	
	0.0 - 2.5	0.1	01A100CHB025Z	13.0	13.0	16.0	32.8	21.0	1.5	13.0	5.3	4000	53	51	17.4	
	0.5 - 4.0	0.1	01A100CHB040Z	13.0	13.0	16.0	34.3	22.5	1.5	13.0	6.8	4000	53	51	17.9	
M16 x 2.00	2.0 - 5.5	0.1	01A100CHB055Z	13.0	13.0	16.0	35.8	24.0	1.5	13.0	8.3	4000	53	51	18.3	
	4.0 - 7.0	0.1	01A100CHB070Z	13.0	13.0	16.0	37.3	27.0	1.5	13.0	9.8	4000	53	51	18.6	
	0.0 - 4.2	0.1	01A120CHB042Z	16.0	16.0	20.0	37.9	25.4	1.7	16.0	7.3	6100	92	88	30.6	
M18 x 2.00	2.0 - 6.0	0.1	01A120CHB060Z	16.0	16.0	20.0	39.7	27.2	1.7	16.0	9.1	6100	92	88	31.3	
	3.5 - 7.6	0.1	01A120CHB076Z	16.0	16.0	20.0	41.3	28.5	1.7	16.0	10.7	6100	92	88	32.1	
	6.0 - 9.2	0.1	01A120CHB092Z	16.0	16.0	20.0	42.9	30.1	1.7	16.0	12.3	6100	92	88	32.7	
M20 x 2.00	0.0 - 3.0	0.1	01A140CHB030Z	18.0	18.0	23.0	43.6	29.6	2.0	18.0	7.0	7200	148	142	44.4	
	1.0 - 5.0	0.1	01A140CHB050Z	18.0	18.0	23.0	45.5	31.5	2.0	18.0	9.0	7200	148	142	45.6	
	3.0 - 7.0	0.1	01A140CHB070Z	18.0	18.0	23.0	47.5	33.5	2.0	18.0	11.0	7200	148	142	46.9	
M22 x 2.00	6.0 - 9.0	0.1	01A140CHB090Z	18.0	18.0	23.0	49.5	35.5	2.0	18.0	13.0	7200	148	142	48.2	
	0.0 - 3.2	0.1	01A160CHB032Z	21.0	21.0	26.0	46.3	30.5	2.5	21.0	8.2	10000	232	222	63.9	
	0.0 - 5.7	0.1	01A160CHB057Z	21.0	21.0	26.0	48.8	33.0	2.5	21.0	10.7	10000	232	222	65.8	
M24 x 2.00	2.0 - 8.2	0.1	01A160CHB082Z	21.0	21.0	26.0	51.3	35.5	2.5	21.0	13.2	10000	232	222	67.7	
	6.0 - 11.0	0.1	01A160CHB110Z	21.0	21.0	26.0	54.1	38.0	2.5	21.0	16.0	10000	232	222	69.9	

Écrou à sertir en aveugle correspondant à l'ancienne désignation H... CB ... ACIER
Blind Rivet Nuts corresponding to old designation H... CB ... STEEL