

# Écrous à sertir en aveugle Blind Rivet Nuts

Material : Steel

Matière : Acier

Head : Flush

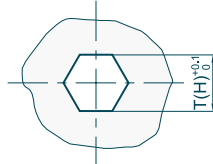
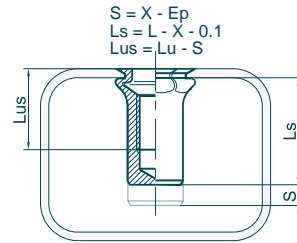
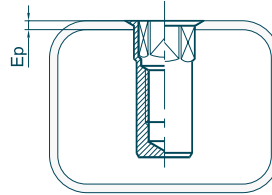
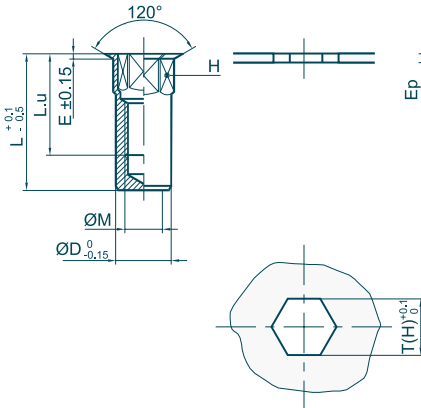
Tête : Affleurante

Body : Hexagonal

Fût : Hexagonal

Body end : Closed End

Extrémité du fût : Borgne



Outillages de pose  
Fastening tools  
se référer à / refer to  
**TOOLIN'FIX**

Ø M	Ep		Code	H	mm		A	L	Lu	E	Ø D	X	daN	N.m	N.m	kg x1000
	min	max			T(H)	A										
M2.5 x 0.45	0.0 - 1.1	0.0 - 1.1	01A025AHB011Z	4.0	4.0	4.6	9.7	5.6	0.3	4.0	2.4	300	1.0	1.0	0.5	
	1.1 - 1.7	0.0 - 1.7	01A025AHB017Z	4.0	4.0	4.6	10.3	6.5	0.3	4.0	3.0	300	1.0	1.0	0.6	
M3 x 0.50	0.0 - 1.1	0.0 - 1.1	01A030AHB011Z	5.0	5.0	5.8	11.9	6.7	0.3	5.0	2.4	450	1.4	1.3	1.1	
	1.0 - 2.3	0.0 - 2.3	01A030AHB023Z	5.0	5.0	5.8	13.1	8.2	0.3	5.0	3.6	450	1.4	1.3	1.1	
	2.1 - 3.2	0.0 - 3.2	01A030AHB032Z	5.0	5.0	5.8	13.8	8.7	0.3	5.0	4.7	450	1.4	1.3	1.2	
	3.0 - 4.1	0.0 - 4.1	01A030AHB041Z	5.0	5.0	5.8	14.7	9.6	0.3	5.0	5.6	450	1.4	1.3	1.2	
M4 x 0.70	0.0 - 1.3	0.0 - 1.3	01A040AHB013Z	6.0	6.0	6.8	15.1	8.5	0.3	6.0	2.6	750	3.2	3.1	1.9	
	1.0 - 3.0	0.0 - 3.0	01A040AHB030Z	6.0	6.0	6.8	16.7	10.1	0.3	6.0	4.3	750	3.2	3.1	2.0	
	2.2 - 4.2	0.0 - 4.2	01A040AHB042Z	6.0	6.0	6.8	18.0	11.4	0.3	6.0	5.5	750	3.2	3.1	2.1	
	3.0 - 5.5	0.0 - 5.5	01A040AHB055Z	6.0	6.0	6.8	19.5	12.9	0.3	6.0	6.8	750	3.2	3.1	2.2	
M5 x 0.80	0.0 - 1.5	0.0 - 1.5	01A050AHB015Z	7.0	7.0	8.0	16.8	10.5	0.4	7.0	3.0	1050	6.4	6.1	2.7	
	0.5 - 2.5	0.0 - 2.5	01A050AHB025Z	7.0	7.0	8.0	17.8	11.5	0.4	7.0	4.0	1050	6.4	6.1	2.8	
	1.5 - 3.5	0.0 - 3.5	01A050AHB035Z	7.0	7.0	8.0	19.3	13.0	0.4	7.0	5.0	1050	6.4	6.1	3.0	
	2.5 - 4.5	0.0 - 4.5	01A050AHB045Z	7.0	7.0	8.0	20.3	14.0	0.4	7.0	6.0	1050	6.4	6.1	3.1	
M6 x 1.00	0.0 - 1.5	0.0 - 1.5	01A060AHB015Z	9.0	9.0	10.0	21.3	12.5	0.4	9.0	3.4	1800	11.1	10.6	6.3	
	1.5 - 3.5	0.0 - 3.5	01A060AHB035Z	9.0	9.0	10.0	23.3	14.5	0.4	9.0	5.4	1800	11.1	10.6	6.6	
	2.5 - 4.5	0.0 - 4.5	01A060AHB045Z	9.0	9.0	10.0	24.3	15.5	0.4	9.0	6.4	1800	11.1	10.6	6.7	
	3.5 - 5.5	0.0 - 5.5	01A060AHB055Z	9.0	9.0	10.0	25.3	16.5	0.4	9.0	7.4	1800	11.1	10.6	6.9	
M8 x 1.25	0.0 - 1.8	0.0 - 1.8	01A080AHB018Z	11.0	11.0	12.0	24.2	13.7	0.4	11.0	3.7	2950	27	25.8	9.8	
	1.0 - 3.0	0.0 - 3.0	01A080AHB030Z	11.0	11.0	12.0	25.4	14.9	0.4	11.0	4.9	2950	27	25.8	10.0	
	2.3 - 4.2	0.0 - 4.2	01A080AHB042Z	11.0	11.0	12.0	26.7	16.2	0.4	11.0	6.2	2950	27	25.8	10.3	
	3.0 - 5.0	0.0 - 5.0	01A080AHB050Z	11.0	11.0	12.0	27.5	16.8	0.4	11.0	6.9	2950	27	25.8	10.7	
M10 x 1.50	4.5 - 6.5	0.0 - 6.5	01A080AHB065Z	11.0	11.0	12.0	28.5	18.0	0.4	11.0	8.4	2950	27	25.8	10.8	
	0.0 - 3.2	0.0 - 3.2	01A100AHB032Z	13.0	13.0	14.5	31.9	21.4	0.6	13.0	6.0	4000	53	51	16.3	
	2.0 - 5.5	0.0 - 5.5	01A100AHB055Z	13.0	13.0	14.5	34.4	23.0	0.6	13.0	8.3	4000	53	51	17.1	
	3.0 - 6.5	0.0 - 6.5	01A100AHB065Z	13.0	13.0	14.5	35.4	24.0	0.6	13.0	9.3	4000	53	51	17.4	
M12 x 1.75	4.5 - 7.5	0.0 - 7.5	01A100AHB075Z	13.0	13.0	14.5	36.4	25.0	0.6	13.0	10.3	4000	53	51	17.7	
	0.0 - 4.2	0.0 - 4.2	01A120AHB042Z	16.0	16.0	17.5	36.3	23.7	0.6	16.0	7.3	6100	92	88	28.5	
	2.0 - 6.0	0.0 - 6.0	01A120AHB060Z	16.0	16.0	17.5	38.2	25.6	0.6	16.0	9.1	6100	92	88	29.2	
	3.5 - 7.6	0.0 - 7.6	01A120AHB076Z	16.0	16.0	17.5	39.7	27.0	0.6	16.0	10.7	6100	92	88	30.0	
M14 x 2.00	6.0 - 9.2	0.0 - 9.2	01A120AHB092Z	16.0	16.0	17.5	41.3	28.5	0.6	16.0	12.3	6100	92	88	30.7	
	0.0 - 3.0	0.0 - 3.0	01A140AHB030Z	18.0	18.0	19.5	41.6	27.6	0.6	18.0	7.0	7200	148	142	40.8	
	1.0 - 5.0	0.0 - 5.0	01A140AHB050Z	18.0	18.0	19.5	43.6	29.6	0.6	18.0	9.0	7200	148	142	42.0	
	3.0 - 7.0	0.0 - 7.0	01A140AHB070Z	18.0	18.0	19.5	45.6	31.6	0.6	18.0	11.0	7200	148	142	43.3	
M16 x 2.00	6.0 - 9.0	0.0 - 9.0	01A140AHB090Z	18.0	18.0	19.5	47.6	33.6	0.6	18.0	13.0	7200	148	142	44.6	
	0.0 - 3.2	0.0 - 3.2	01A160AHB032Z	21.0	21.0	22.5	44.1	27.2	0.6	21.0	8.2	10000	232	222	58.7	
	0.0 - 5.7	0.0 - 5.7	01A160AHB057Z	21.0	21.0	22.5	46.5	29.6	0.6	21.0	10.7	10000	232	222	60.6	
	2.0 - 8.2	0.0 - 8.2	01A160AHB082Z	21.0	21.0	22.5	48.9	32.0	0.6	21.0	13.2	10000	232	222	62.5	
6.0 - 11.0	0.0 - 11.0	01A160AHB110Z	21.0	21.0	22.5	51.9	34.7	0.6	21.0	16.0	10000	232	222	64.6		

Écrou à sertir en aveugle correspondant à l'ancienne désignation H ... IB ... ACIER  
Blind Rivet Nuts corresponding to old designation H ... IB ... STEEL